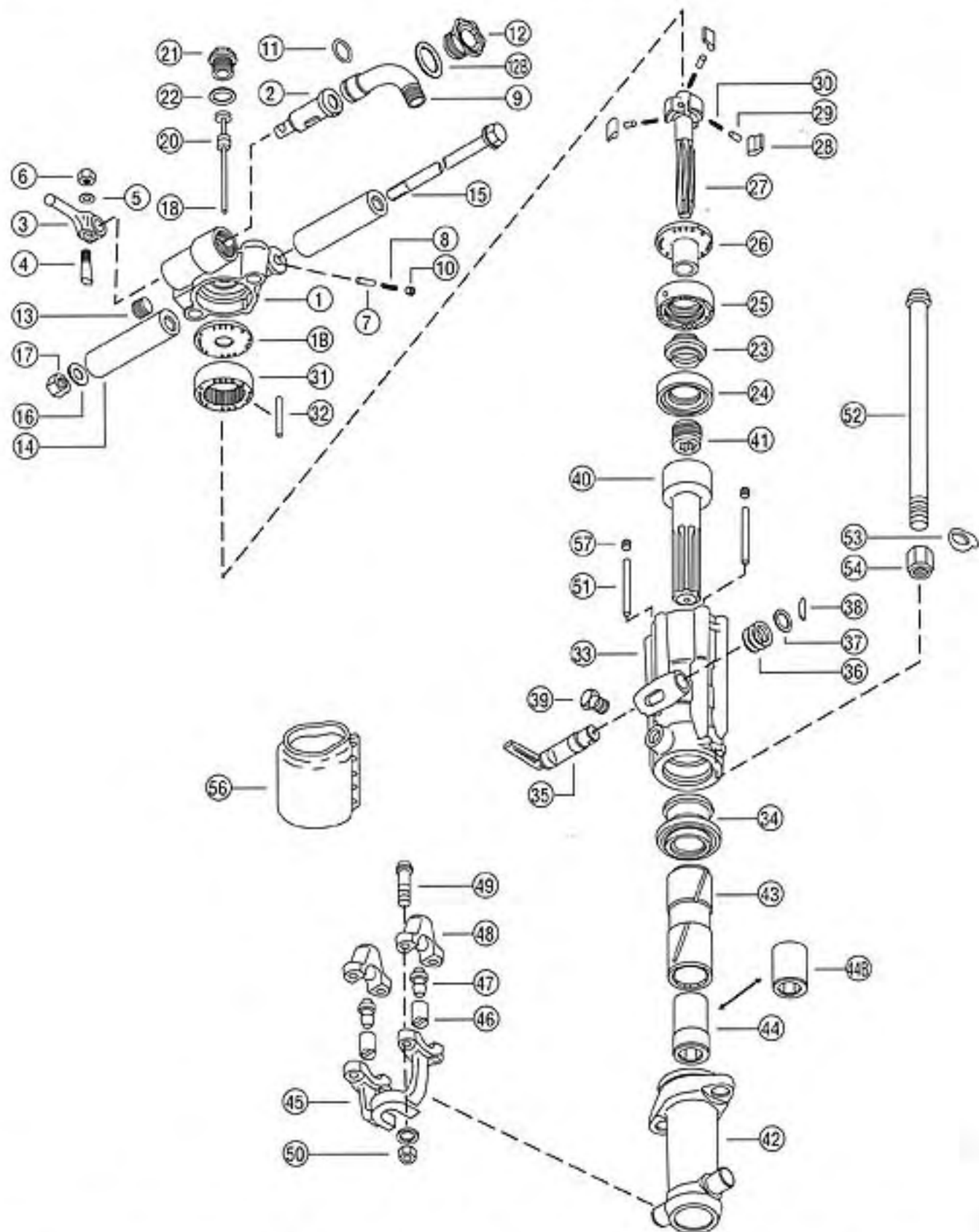


# THOR POWER TOOLS

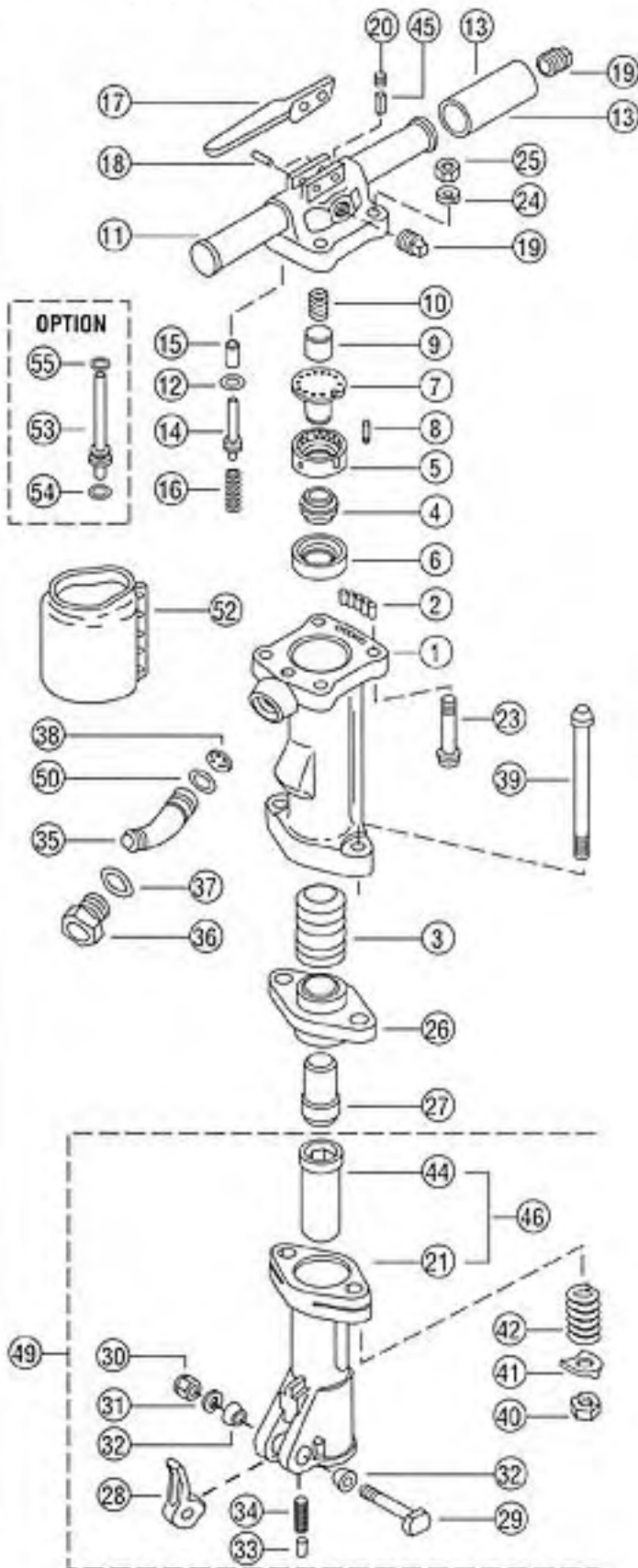
# ROCK DRILL MODEL 75

SYM. NO.	PART NO.	NO.	DESCRIPTION	AMT. REQ.
1	47098	7701	Back Head w/Bushing	1
1-B	43152	7701-B	Back Head Bushing	1
2	43158	7702	Throttle Valve	1
3	43159	7703	Throttle Valve Handle	1
4	43160	7704	Throttle Valve Handle Bolt	1
5	43003	7705	Throttle Valve Handle Washer	1
6	43102	7706	Throttle Valve Handle Bolt Nut	1
7	43161	7707	Throttle Valve Plunger	1
8	43162	7708	Throttle Valve Plunger Spring	1
9	43168	7709	Air Inlet Swivel	1
10	68073	7710	Plug	1
11	45259	7711	Swivel O-Ring	1
12	43169	7712	Swivel Nut	1
12-B		7712-B	Swivel Nut O-Ring	1
13		7713	Back Head Plug	1
14	43154	7714	Handle Grip Complete	2
15	43153	7715	Handle Bolt	1
16	43005	7716	Handle Bolt Washer	2
17	43112	7717	Handle Bolt Nut	1
18	43164	7718	Blow Tube	1
20	43144	7720	Blow Tube Rubber Seal	1
21	43155	7721	Blow Tube Gland	1
22	43156	7722	Blow Tube Gasket	1
23	43188	7723	Automatic Valve	1
24	43189	7724	Front Valve Chest	1
25	43190	7725	Rear Valve Chest	1
26	43187	7726	Valve Guide	1
27	43195	7727	Rifle Bar	1
28	43120	7728	Rotation Pawl	3
29	43204	7729	Pawl Plunger	3
30	78883	7730	Pawl Spring	3
31	43192	7731	Ratchet Ring	1
32	43193	7732	Valve Dowel Pin	1
33	43172	7733	Cylinder	1
34	43173	7734	Front Washer Bushing	1
35	43176	7735	Exhaust Valve	1
36	43179	7736	Exhaust Valve Spring	1
37	43180	7737	Exhaust Valve Washer	1
38	43181	7738	Exhaust Valve Pin	1
39	43175	7739	Oil Plug	1
40	43206	7740	Piston	1
41	43199	7741	Rifle Nut	1
		7741-S	Rifle Nut Steel - Option	(1)
42	43208	7742	Front Head	1
43	43209	7743	Chuck Driver	1
44	43211	7744	Chuck Bushing (1" x 4-1/4")	1
44-B	43210	7744-S	Chuck Bushing (7/8" x 3-1/4")	1
	43618	7755	Chuck Bushing (7/8" x 4-1/4")	1
45	43369	7745	Steel Retainer (1" or 7/8" x 4-1/4")	1
	43371	7745-S	Steel Retainer (7/8" x 3-1/4")	1
46	43308	7746	Steel Retainer Plunger	2
47	43367	7747	Retainer Spring	2
48	43366	7748	Steel Retainer Cap	2
49	43368	7749	Steel Retainer Bolt	4
50	43350	7750	Steel Retainer Bolt Nut	4
51	43094	7751	Oil Control Felt	2
52	43215	7752	Side Rod	2

SYM. NO.	PART NO.	NO.	DESCRIPTION	AMT. REQ.
53		7753	Side Rod Lock Washer	2
54	43213	7754	Side Rod Bolt Nut	2
56		7756	Muffler - Option	(1)
57	68073	7757	Oil Control Plug	2

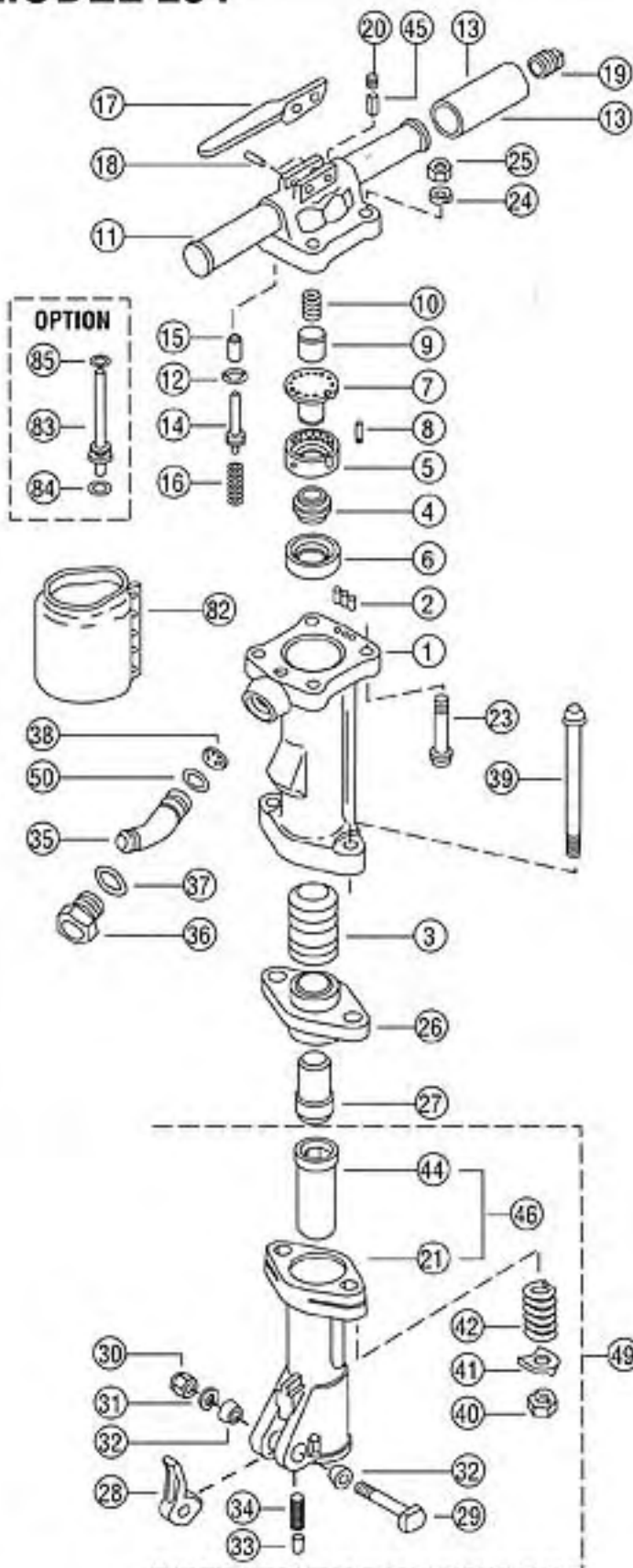


SYM. NO.	PART NO.	NO.	DESCRIPTION	AMT. REQ.
1	46895	6001	Cylinder	1
2	48384	6602	Cylinder Plug	5
3	43484	6003	Piston	1
4	43186	6604	Valve	1
5	43480	6005	Valve Chest	1
6	46894	6006	Valve Seat	1
7	43474	6007	Valve Guide	1
8	43477	6608	Valve Chest Pin	1
9	43474	6609	Back Head Plunger	1
10	43475	6610	Back Head Plunger Spring	1
11	51973	6011	Back Head Bare (incl. 6615)	1
		6011-C	Back Head Complete	1
12	82907	6612	Back Head Seal O-Ring	1
13	43476	6613	Rubber Grip	2
14	46893	6614	Throttle Valve	1
15	43395	6615	Throttle Valve Bushing	1
16	43397	6616	Throttle Valve Spring	1
17	43428	6617	Throttle Valve Lever	1
18	43393	6618	Throttle Lever Pin	2
19	43399	6019	Oil Reservoir Plug	1
20	68073	6620	Oil Control Plug	1
21	46900	6021	Front Head Bare	1
23	98437	6023	Back Head Bolt	4
24	43143	6624	Back Head Bolt Lock Washer	4
25	43500	6625	Back Head Bolt Nut	4
26	46897	6026	Front Washer	1
27	46896	6027	Arvil Block	1
28	43527	6628	Steel Retainer Lever	1
29	43524	6629	Steel Retainer Bolt	1
30	43525	6630	Steel Retainer Nut	1
31	43007	6631	Steel Retainer Lock Washer	1
32	43523	6632-A	Steel Retainer Bolt Bushing (Rubber)	2
		6632-B	Steel Retainer Bolt Bushing-Option (Steel)	(2)
33	43522	6633	Steel Retainer Plunger	1
34	43521	6634	Steel Retainer Plunger Spring	1
35	43512	6035	Air Inlet Swivel	1
36	43169	6036	Air Inlet Swivel Nut	1
37	91881	6037	Air Inlet O-Ring	1
38	43510	6038	Air Inlet Screen	1
39	98438	6039	Front Head Bolt	2
40	43414	6640	Front Head Bolt Nut	2
41	91468	6641	Front Head Bolt Lock Washer	2
42	43412	6642	Front Head Bolt Spring	2
44	46898	6644-A	Sleeve Bushing, 1-1/8" Hex.	1
	46899	6644-B	Sleeve Bushing, 1-1/4" Hex.	1
45	43473	6645	Oil Control Felt	1
46	91509	6046-A	Front Head Assy. w/1-1/8" Bushing	1
	91510	6046-B	Front Head Assy. w/1-1/4" Bushing	1
49		6049-A	Front Head Complete w/1-1/8" Bush.	1
		6049-B	Front Head Complete w/1-1/4" Bush.	1
50	45259	6050	Air Inlet Swivel O-Ring	1
52		6052	Muffler-Option	(1)
53		6614-A	Throttle Valve w/ O-Ring	(1)
54		6614-E	Throttle Valve O-Ring	(1)
55		6614-F	Throttle Valve Stem O-Ring	(1)

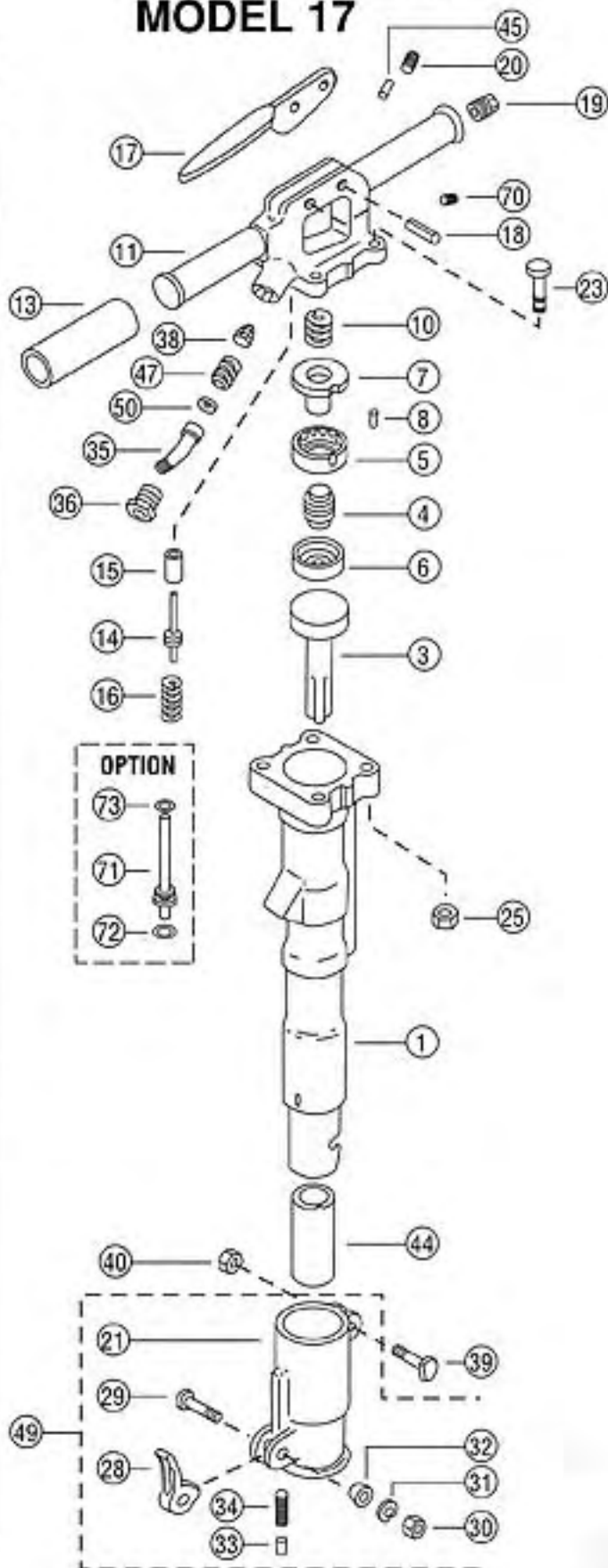




SYM. NO.	PART NO.	NO.	DESCRIPTION	AMT. REQ.
1	52046	6601	Cylinder	1
2	48385	6602	Cylinder Plug	5
3	43436	6603	Piston	1
4	43186	6604	Valve	1
5	43432	6605	Valve Chest	1
6	43431	6606	Valve Seat	1
7	43430	6607	Valve Guide	1
8	43477	6608	Valve Chest Pin	1
9	43474	6609	Back Head Plunger	1
10	43475	6610	Back Head Plunger Spring	1
11	52048	6611	Back Head Bar (incl. 6615)	1
		6611-C	Back Head Complete	1
12	82907	6612	Back Head Seal O-Ring	1
13	43476	6613	Rubber Grip	2
14	46893	6614	Throttle Valve	1
15	43395	6615	Throttle Valve Bushing	1
16	43397	6616	Throttle Valve Spring	1
17	43428	6617	Throttle Valve Lever	1
18	43393	6618	Throttle Lever Pin	2
19	43175	6619	Oil Reservoir Plug	1
20	68073	6620	Oil Control Plug	1
21		6621	Front Head Bar	1
23	52049	6623	Back Head Bolt	4
24	43143	6624	Back Head Bolt Lock Washer	4
25	43500	6625	Back Head Bolt Nut	4
26	43437	6626	Front Washer	1
27	43408	6627	Anvil Block	1
28	43527	6628	Steel Retainer Lever-43527	1
29	43524	6629	Steel Retainer Bolt-98436	1
30	43526	6630	Steel Retainer Nut	1
31	43007	6631	Steel Retainer Lock Washer	1
32	43523	6632-A	Steel Retainer Bolt Bushing (Rubber)	2
	45605	6632-B	Steel Retainer Bolt Bushing-Option (Steel)	(2)
33	43522	6633	Steel Retainer Plunger	1
34	43521	6634	Steel Retainer Plunger Spring	1
35	43512	6635	Air Inlet Swivel	1
36	43169	6636	Air Inlet Swivel Nut	1
37	91881	6637	Air Inlet O-Ring	1
38	43510	6638	Air Inlet Screen	1
39	43415	6639	Front Head Bolt	2
40	43414	6640	Front Head Bolt Nut	2
41	43413	6641	Front Head Bolt Lock Washer	2
42	43412	6642	Front Head Bolt Spring	2
44	46898	6644-A	Sleeve Bushing, 1-1/8" Hex.	1
	46899	6644-B	Sleeve Bushing, 1-1/4" Hex.	1
45	43473	6645	Oil Control Felt	1
46		6646-A	Front Head Assy. w/1-1/8" Bushing	1
		6646-B	Front Head Assy. w/1-1/4" Bushing	1
49		6649-A	Front Head Complete w/1-1/8" Bush.	1
		6649-B	Front Head Complete w/1-1/4" Bush.	1
50	45259	6050	Air Inlet Swivel O-Ring	1
52		6052	Muffler-Option	(1)
53		6614-A	Throttle Valve w/ O-Ring	(1)
54		6614-E	Throttle Valve O-Ring	(1)
55		6614-F	Throttle Valve Stem O-Ring	(1)



SYM. NO.	PART NO.	NO.	DESCRIPTION	AMT. REQ.
1	43026	6301	Cylinder	1
3	43028	6303	Piston	1
4	43038	6304	Valve	1
5	43037	6305	Valve Chest	1
6	43036	6306	Valve Seat	1
7	43039	6307	Valve Guide	1
8	43043	6308	Valve Chest Pin	1
10	43042	6310	Back Head Spring	1
11	43795	6311	Back Head Bare (incl. 6615)	1
13	43476	6613	Rubber Grip	2
14	43796	6614	Throttle Valve	1
15	43395	6615	Throttle Valve Bushing	1
16	43047	6616	Throttle Valve Spring	1
17	43428	6617	Throttle Valve Lever	1
18	43393	6618	Throttle Lever Pin	2
19	43399	6319	Oil Reservoir Plug	1
20	68073	6620	Oil Control Plug	1
21	43783	6321	Front Head Bare	1
23	49020	6323	Back Head Bolt	4
25	49019	6325	Back Head Bolt Nut	4
28	43784	6328	Steel Retainer Lever	1
29	43787	6329	Steel Retainer Bolt	1
30	43790	6330	Steel Retainer Nut	1
31	43143	6331	Steel Retainer Lock Washer	1
32	43786	6332	Steel Retainer Bolt Bushing	1
33	43788	6333	Steel Retainer Plunger	1
34	43785	6334	Steel Retainer Plunger Spring	1
35	43791	6335	Air Inlet Swivel	1
36	43792	6336	Air Inlet Swivel Nut	1
38	43044	6338	Air Inlet Screen	1
39	47947	6339	Front Head Bolt	1
40	91126	6340	Front Head Bolt Nut	1
44	43025	6344-A	Sleeve Bushing, 1" x 4-1/4"	1
	43024	6344-B	Sleeve Bushing, 7/8" x 3-1/4"	1
45	43473	6645	Oil Control Felt	1
47	47754	6347	Air Inlet Spring	1
49		6349	Front Head Complete	1
50	91108	6350	Air Inlet Swivel O-Ring	1
70		6517	Oil Plug	1
71		6614-A	Throttle Valve w/ O-Ring	(1)
72		6614-E	Throttle Valve O-Ring	(1)
73		6614-F	Throttle Valve Stem O-Ring	(1)

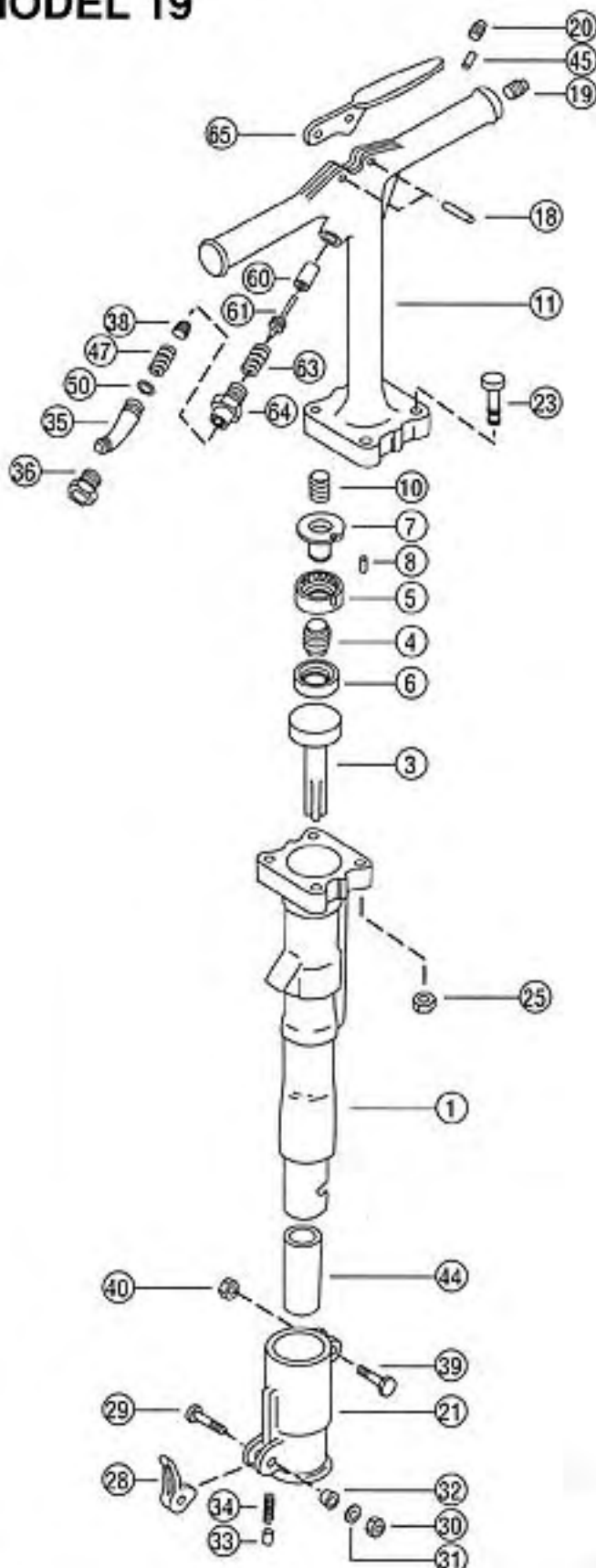




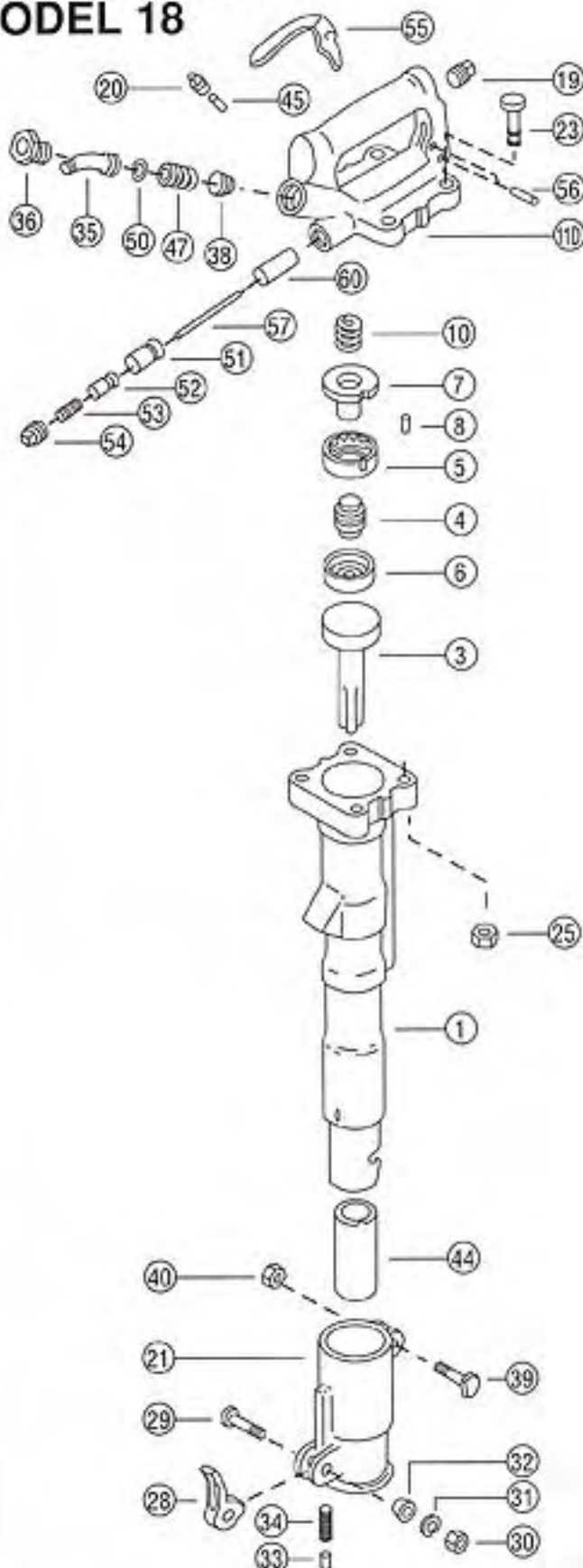
# THOR POWER TOOLS

# TRENCH DIGGER MODEL 19

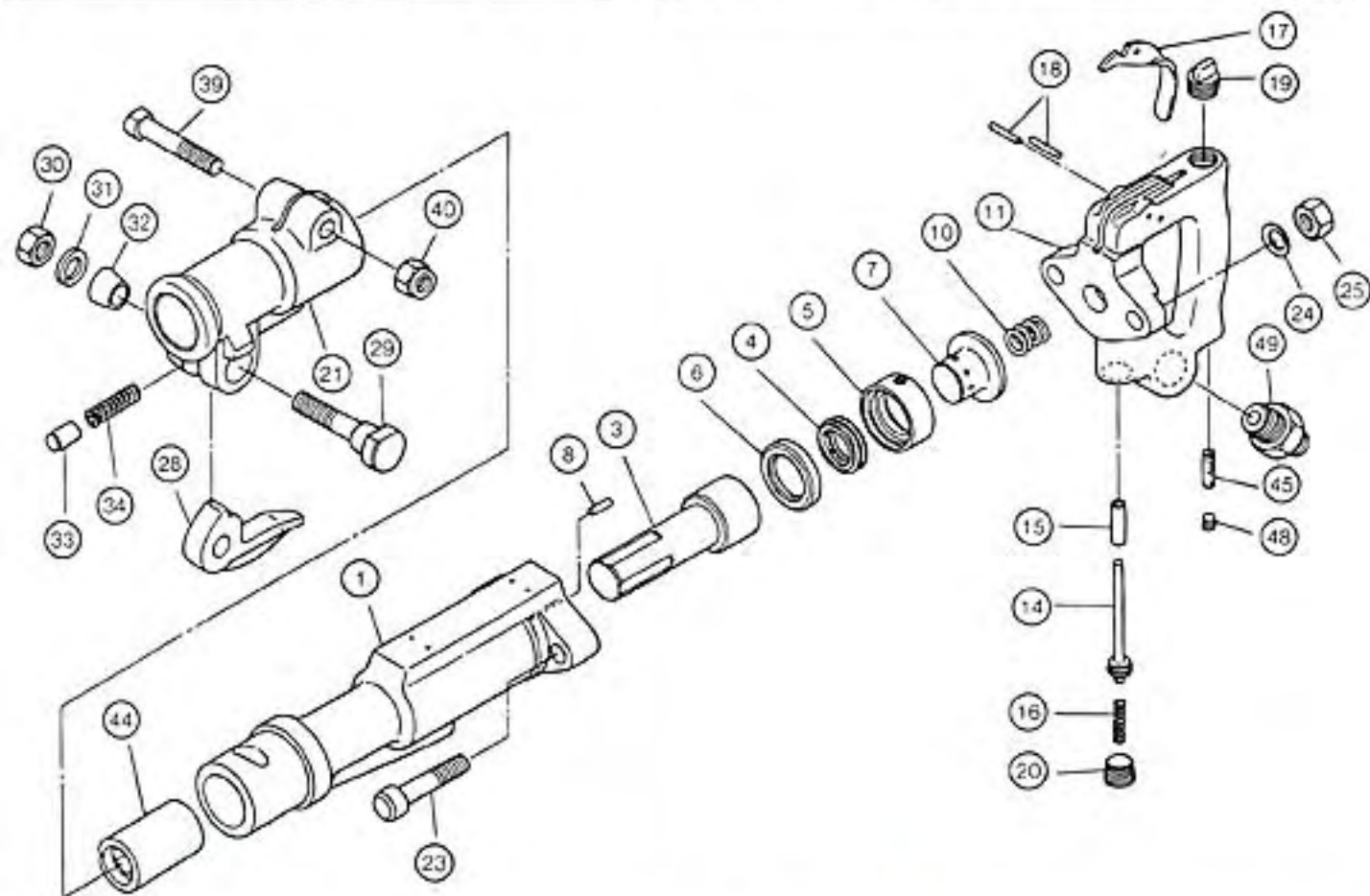
SYM. NO.	PART NO.	NO.	DESCRIPTION	AMT. REQ.
1	43026	6301	Cylinder	1
3	43028	6303	Piston	1
4	43038	6304	Valve	1
5	43037	6305	Valve Chest	1
6	43036	6306	Valve Seat	1
7	43039	6307	Valve Guide	1
8	43043	6308	Valve Chest Pin	1
10	43042	6310	Back Head Spring	1
11	44011	6311-T	Back Head Bare (incl. 6360)	1
18	43393	6618	Throttle Lever Pin	2
19	57674	6319	Oil Reservoir Plug	1
20	68073	6620	Oil Control Plug	1
21	43783	6321	Front Head Bare	1
23	49020	6323	Back Head Bolt	4
25	49019	6325	Back Head Bolt Nut	4
28	43784	6328	Steel Retainer Lever	1
29	43787	6329	Steel Retainer Bolt	1
30	43790	6330	Steel Retainer Nut	1
31	43143	6331	Steel Retainer Lock Washer	1
32	43786	6332	Steel Retainer Bolt Bushing	1
33	43788	6333	Steel Retainer Plunger	1
34	43785	6334	Steel Retainer Plunger spring	1
35	43791	6335	Air Inlet Swivel	1
36	43792	6336	Air Inlet Swivel Nut	1
38	43044	6338	Air Inlet Screen	1
39	47947	6339	Front Head Bolt	1
40	91126	6340	Front Head Bolt Nut	1
44	43025	6344-A	Sleeve Bushing 1" x 4-1/4"	1
	43024	6344-B	Sleeve Bushing 7/8" x 3-1/4"	1
45	43473	6645	Oil Control Felt	1
47	47754	6347	Air Inlet Spring	1
50	91108	6350	Air Inlet Swivel O-Ring	1
60	86852	6360	Throttle Valve Stem Guide	1
61	43761	6361	Throttle Valve	1
63	44007	6363	Throttle Valve Spring	1
64	47995	6364	Inlet Spud	1
65	61963	6365	Throttle Valve Lever	1



SYM. NO.	PART NO.	NO.	DESCRIPTION	AMT. REQ.
1	43026	<b>6301</b>	Cylinder	1
3	43028	<b>6303</b>	Piston	1
4	43038	<b>6304</b>	Valve	1
5	43037	<b>6305</b>	Valve Chest	1
6	43036	<b>6306</b>	Valve Seat	1
7	43039	<b>6307</b>	Valve Guide	1
8	43043	<b>6308</b>	Valve Chest Pin	1
10	43042	<b>6310</b>	Back Head Spring	1
11-D	43041	<b>6311-D</b>	Back Head Bare (incl. 6360, 6351)	1
19	57674	<b>6319</b>	Oil Reservoir Plug	1
20	68073	<b>6620</b>	Oil Control Plug	1
21	43784	<b>6321</b>	Front Head Bare	1
23	49020	<b>6323</b>	Back Head Bolt	4
25	91126	<b>6325</b>	Back Head Bolt Nut	4
28	43784	<b>6328</b>	Steel Retainer Lever	1
29	43787	<b>6329</b>	Steel Retainer Bolt	1
30	43790	<b>6330</b>	Steel Retainer Nut	1
31	43143	<b>6331</b>	Steel Retainer Lock Washer	1
32	43786	<b>6332</b>	Steel Retainer Bolt Bushing	1
33	43788	<b>6333</b>	Steel Retainer Plunger	1
34	43785	<b>6334</b>	Steel Retainer Plunger spring	1
35	43791	<b>6335</b>	Air Inlet Swivel	1
36	43792	<b>6336</b>	Air Inlet Swivel Nut	1
38	43044	<b>6338</b>	Air Inlet Screen	1
39	47947	<b>6339</b>	Front Head Bolt	1
40	91126	<b>6340</b>	Front Head Bolt Nut	1
44	43025	<b>6344-A</b>	Sleeve Bushing 1" x 4-1/4"	1
	43024	<b>6344-B</b>	Sleeve Bushing 7/8" x 3-1/4"	1
45	43473	<b>6645</b>	Oil Control Felt	1
47	47754	<b>6347</b>	Air Inlet Spring	1
50	91108	<b>6350</b>	Air Inlet Swivel O-Ring	1
51	80361	<b>6351</b>	Throttle Valve Bushing	1
52	43050	<b>6352</b>	Throttle Valve	1
53	2502	<b>6353</b>	Throttle Valve Spring	1
54	57674	<b>6354</b>	Throttle Valve Cap	1
55	61963	<b>6355</b>	Throttle Valve Lever	1
56	61964	<b>6356</b>	Throttle Lever Pin	2
57	71683	<b>6357</b>	Throttle Valve Pin	1
60	86852	<b>6360</b>	Throttle Valve Stem Guide	1







SYM. NO.	PART NO.	NO.	DESCRIPTION	AMT. REQ.
1		<b>6801</b>	Cylinder	1
3	43762	<b>6803</b>	Piston	1
4	43764	<b>6804</b>	Valve	1
5	43766	<b>6805</b>	Valve Chest	1
6	43765	<b>6806</b>	Valve Seat	1
7	43767	<b>6807</b>	Valve Guide	1
8	43043	<b>6808</b>	Valve Chest Dowel Pin	1
10	43042	<b>6810</b>	Plunger Spring	1
11		<b>6811</b>	Back Head Bar	1
		<b>6811-D</b>	Back Head Complete	1
14	43772	<b>6814</b>	Throttle Valve	1
15	86852	<b>6815</b>	Throttle Valve Bushing	1
16	43760	<b>6816</b>	Throttle Valve Spring	1
17	61963	<b>6817</b>	Throttle Lever	1
18	71840	<b>6818</b>	Throttle Lever Pin	2
19	57674	<b>6819</b>	Oil Reservoir plug	1
20	CTC-15	<b>6820</b>	Throttle Valve Plug	1
21	43753	<b>6821</b>	Front Head Bar	1
23	43755	<b>6823</b>	Back Head Bolt	2
24		<b>6824</b>	Back Head Bolt Lock Washer	2

SYM. NO.	PART NO.	NO.	DESCRIPTION	AMT. REQ.
25	43756	<b>6825</b>	Back Head Bolt Nut	2
28	43752	<b>6328</b>	Steel Retainer Lever	1
29	43787	<b>6329</b>	Steel Retainer Bolt	1
30	43790	<b>6330</b>	Steel Retainer Nut	1
31	43143	<b>6331</b>	Steel Retainer Lock Washer	1
32	43786	<b>6332</b>	Steel Retainer Bolt Bushing	1
33	43788	<b>6333</b>	Steel Retainer Plunger	1
34	43754	<b>6334</b>	Steel Retainer Plunger Spring	1
39	43757	<b>6339</b>	Front Head Bolt	1
40	43759	<b>6340</b>	Front Head Bolt Nut	1
44	43746	<b>6844</b>	Sleeve Bushing (7/8" x 3-1/4")	1
45	43773	<b>6645</b>	Oil Control Felt	1
48	68073	<b>6848</b>	Oil Control Plug	1
49	51386	<b>6849</b>	Air Inlet Bushing	1



SYM. NO.	PART NO.	NO.	DESCRIPTION	AMT. REQ.
1	94540	<b>6500</b>	Throttle Valve Handle-Complete	1
1-A		<b>6501</b>	Throttle Valve Handle Assy. (incl. 6502)	1
2		<b>6502</b>	Throttle Valve Bushing	1
3		<b>6503</b>	Throttle Valve Lever	1
4		<b>6504</b>	Throttle Valve Latch Pin	1
5		<b>6505</b>	Throttle Valve Latch Clip	1
6		<b>6506</b>	Throttle Valve (incl. 6507)	1
7		<b>6507</b>	Throttle Valve O-Ring	1
8		<b>6508</b>	Throttle Valve Spring	1
9		<b>6509</b>	Throttle Valve Plug	1
10		<b>6510</b>	Throttle Valve Plug O-Ring	1
11		<b>6511</b>	Cylinder Cap Bushing	1
12	94541	<b>6512</b>	Connecting Pipe	1
14	94542	<b>6514</b>	Connecting Pipe Lock Nut	1
15	94543	<b>6515</b>	Oil Control Bushing	1
16	94545	<b>6516</b>	Back Head	1
17	80939	<b>6517</b>	Oil Plug	1
18	94550	<b>6518</b>	Valve Block O-Ring	1
22	95488	<b>6522</b>	Upper Valve Block	1
23	94547	<b>6523</b>	Center Plate	1
24	1018	<b>6524</b>	Valve	1
25	94546	<b>6525</b>	Lower Valve Block	1
26	75439	<b>6526</b>	Valve Dowel Pin	2
27	94552	<b>6527</b>	Cylinder	1
28	94523	<b>6528</b>	Exhaust Deflector-Steel	1
30	94557	<b>6530</b>	Piston	1
31	94555	<b>6531</b>	Upper Guide Bushing	1
32	91492	<b>6532</b>	Guide Bushing O-Ring	2
33	91491	<b>6533</b>	Packing Plunger Set	1
35	91489	<b>6535</b>	Lower Guide Bushing	1
36	75431	<b>6536</b>	Lock Ring	1
37	94554	<b>6537</b>	Packing Nut	1
38	73206	<b>9538</b>	6" Malleable Butt	1
40	94558	<b>6540</b>	Clamp Screw	1
41	22303	<b>9541</b>	Pole Butt-Option	(1)

