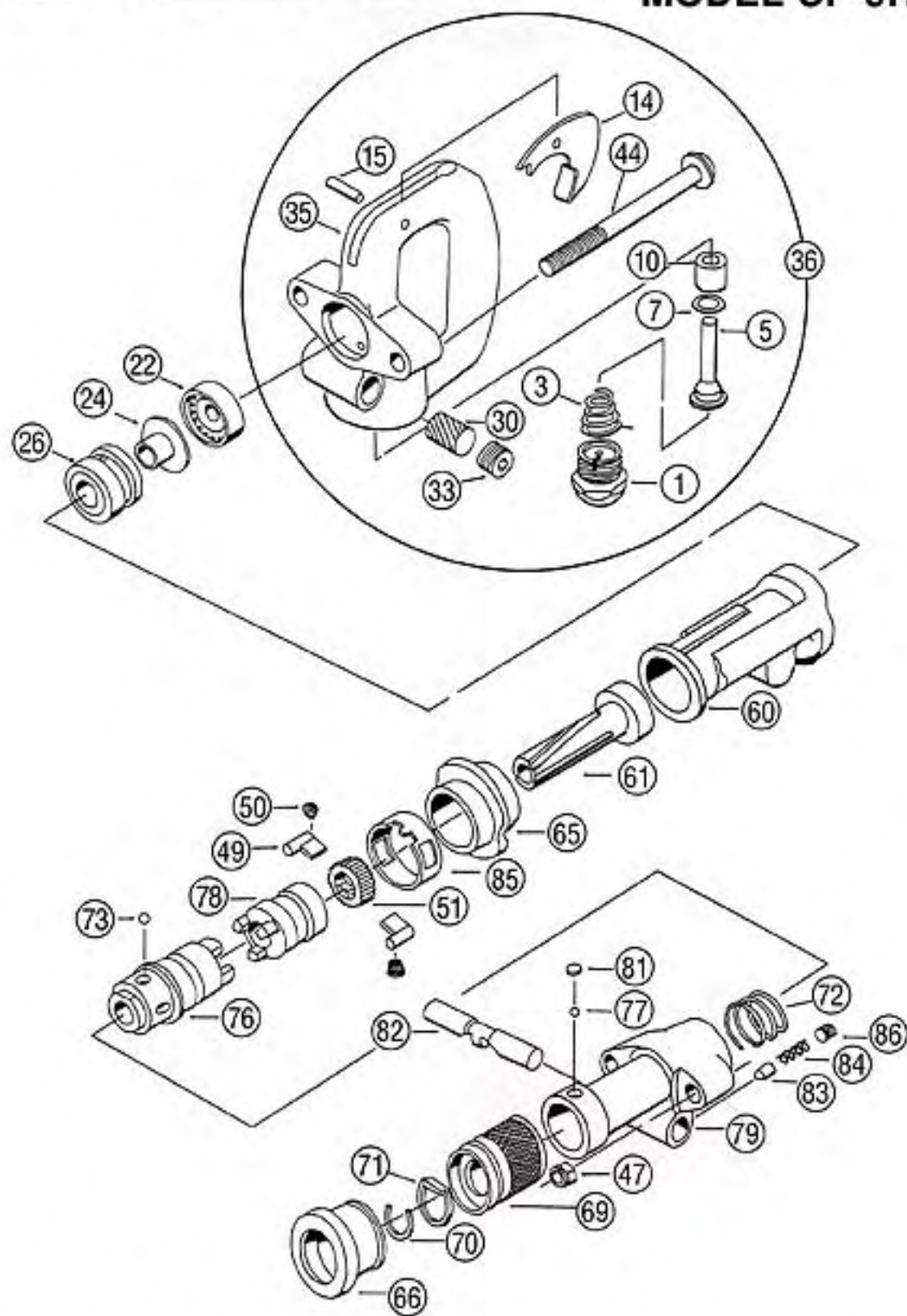


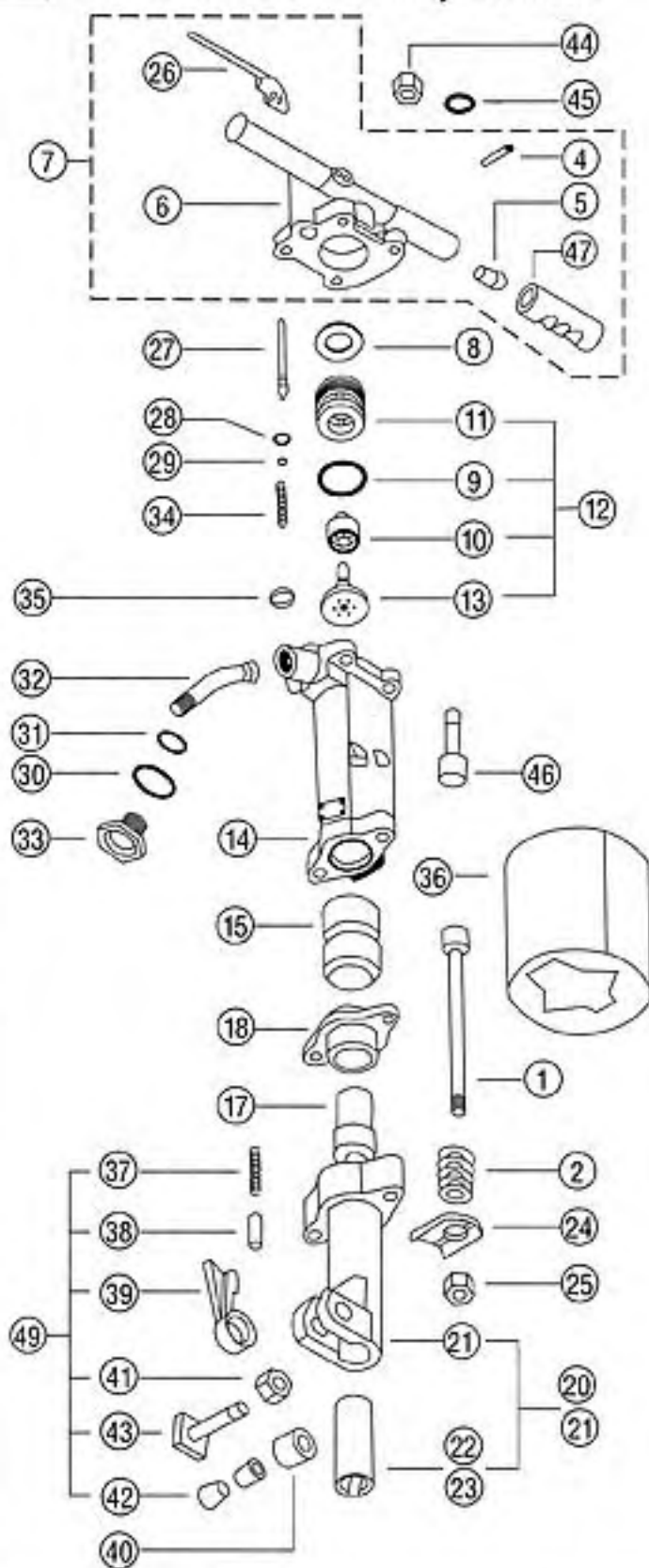
# CHICAGO PNEUMATIC TOOLS

## ROCK DRILL MODEL CP-9RR

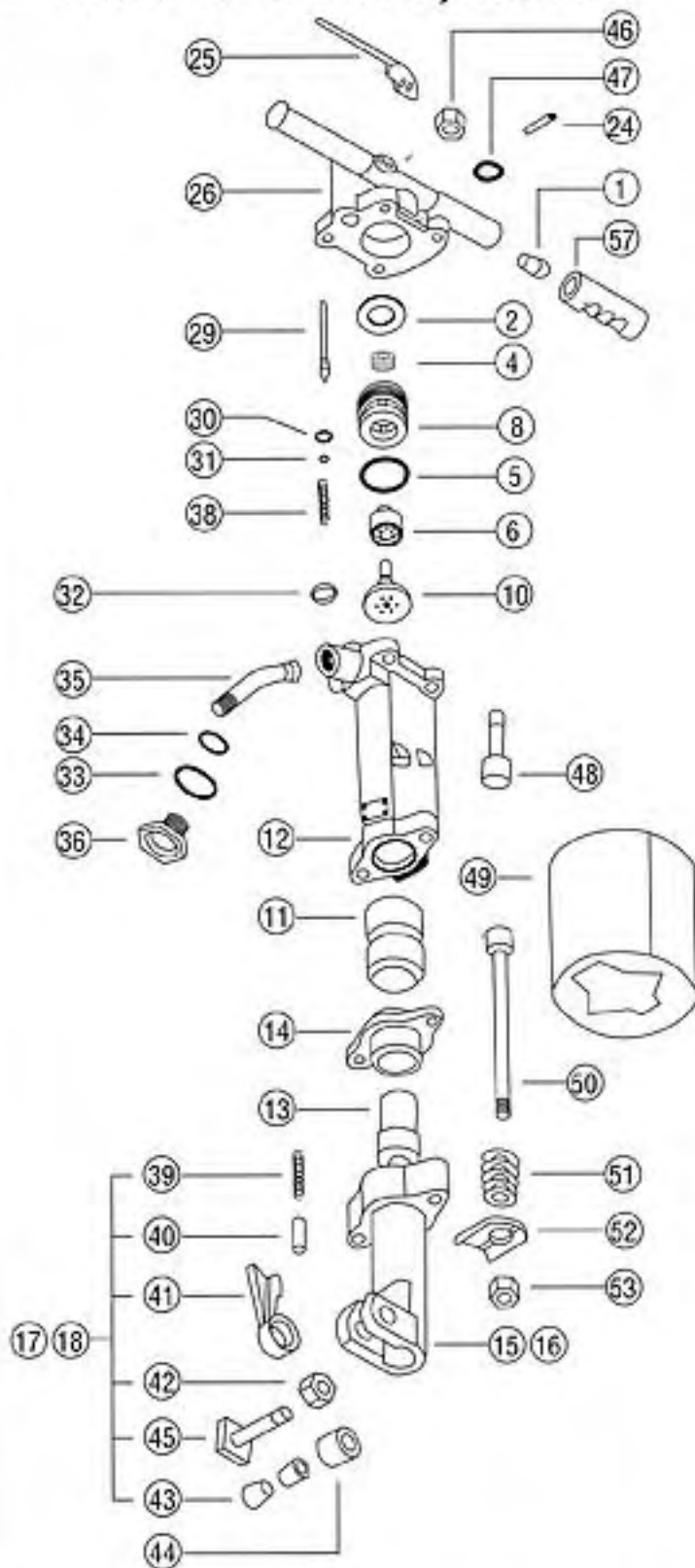
SYM. NO.	PART NO.	NO.	DESCRIPTION	AMT. REQ.
1	R-095893	7413	Bushing-Air Inlet (3/8")	1
3	R-095596	7416	Spring-Throttle Valve	1
5	R-096329	7414	Valve-Throttle	1
7	R-096098	7412	Seat-Throttle Valve	1
10	F-815426	7415	Bushing-Throttle Valve Stem	1
14	F-027853	7417	Lever-Throttle	1
15	R-075404	7418	Pin-Throttle Lever	1
22	R-095896	7418	Seat-Rear Valve	1
24	R-095897	7404	Valve	1
26	R-095808	7406	Seat-Front Valve	1
30	R-095895	7420	Felt-Oil Chamber	1
33	C-077941	7419	Plug-Pipe (3/8")	1
35	F-034495	7411	Handle (Incl: Index No's 7 & 10)	1
36	R-278018	7411-C	Handle Cp. (Incl: Index #1, 3, 5, 14, 15, 30, 33, 35)	1
44	F-034249	7422	Bolt-Through	2
47	S-013073	7423	Nut-Thru Bolt	2
49	R-051355	7448	Pawl	2
50	R-095890	7447	Spring-Pawl	2
51	F-816123	7442	Ring-Ratchet	1
60	R-095896	7401	Cylinder	1
61	F-816122	7403	Piston	1
65	R-051356	7445	Bushing-Cylinder	1
69	F-815586	7428	Sleeve-Retainer	1
70	F-826893	7430	Ring-Retainer	1
71	F-826683	7429	Plate-Retainer	1
72	R-037705	7435	Spring-Sleeve Retainer	1
73	P-070416	7449	Ball-Steel (5/16" Dia)	4
76	R-826892	7444	Chuck	1
77	S-013112	7433	Ball-Chuck Retainer	17
78	R-095900	7421	Sleeve-Chuck	1
79	F-816120	7443	Front Head	1
81	F-051888	7432	Plug-Ball Retainer	1
82	R-051351	7429	Plunger-Shifter	1
83	R-051352	7438	Plunger-Shifter Detent	1
84	R-051353	7437	Spring-Plunger	1
85	F-816124	7446	Sleeve-Shifter	1
86	C-102507	7436	Plug-Pipe (1/16 NPTF)	1



SYM. NO.	PART NO.	NO.	DESCRIPTION	AMT. REQ.
1	R-054973	5039	Bolt-Front Head	2
2	R-092915	5042	Spring-Front Head Bolt	2
3	BR-132071		Plug-Oil Regulator	1
4	BR-132072	5618	Pin-Throttle Lever	2
5	R-075031	5619	Plug-Oil	1
6	BR-132076	5011	Back Head	1
7	BR-132077	5011-C	Back Head Complete (Including: No.3, 4, 5, 6 & 26)	1
8	R-085259	5010	Washer-Take-Up	1
9	P-083094	5008	O-Ring	1
10	R-122975	5004	Valve	1
11	R-092904	5005	Case-Valve	1
12	R-122977		Valve-Case Complete (Including: No.9, 10, 11 & 13)	1
13	R-122976	5007	Guide-Valve	1
14	BR-132073	5001	Cylinder	1
15	R-000127	5003	Piston	1
	R-117415		Screw-Socket Hd. Cap	(4)
17	R-096123	5027	Block-Anvil	1
18	R-092907	5026	Bushing-Anvil Block	1
20	R-092917	5046-A	Front Head (1-1/8") (Including: No.22)	1
21	R-092918	5046-B	Front Head (1-1/4") (Including: No.23)	1
22	R-090122	5044-A	Bushing-Front Head (1-1/8")	1
23	R-040635	5044-B	Bushing-Front Head (1-1/4")	1
24	R-096059	5041	Lock-Front Head Bolt	2
25	R-054975	5040	Nut-Front Head Bolt	2
26	BR-132074	5617	Lever-Throttle	1
27	R-092894	5614	Valve-Throttle (Including: No.28 & 29)	1
28	R-098368	5615	Seal-Throttle Valve	1
29	R-098369	5620	Ring-Retaining	1
30	R-103521	5637	O-Ring (-128)	1
31	R-110317	5650	O-Ring (.987 L.D.)	1
32	R-085269	5635	Swivel-Throttle Valve	1
33	R-000530	5636	Nut-Air Inlet Swivel	1
34	R-005717	5616	Spring-Throttle Valve	1
35	R-047965	5612	Seal-Cylinder	1
36	BR-132075	5082	Hood-Muffler	(1)
37	R-092911	5034	Spring-Latch Plunger	1
38	R-092910	5033	Plunger Retainer Latch	1
39	R-092909	5028	Latch Retainer	1
40	R-050894	5031	Bushing-Retainer Latch	1
41	R-008999	5630	Nut-Retainer Bolt	1
42	R-076562	5632	Bushing-Retainer Bolt	2
43	R-076853	5629	Bolt-Retainer Latch	1
44	R-003069	5025	Nut-Back Head Bolt	4
45	R-000550	5024	Lock Washer-Back Head Bolt	4
46	R-092896	5023	Bolt-Back Head	4
47	F-816345	5013	Grip-Handle	2



SYM. NO.	PART NO.	NO.	DESCRIPTION	AMT. RED.
1	R-075031	5619	Plug-Oil	1
2	R-047961	5610	Spring-Valve Case	1
4	C-054897	5609	Plug-Pipe (1/8")	1
5	R-045854	5608	O-Ring (-139)	1
6	R-122151	5604	Valve	1
8	R-047958	5605	Case-Valve	1
9	R-122157		Valve Case Assembly (Including: No.4, 5, 6, 8 & 13)	1
10	R-047960	5607	Lid-Valve Case	1
11	R-047967	5603	Piston	1
12	R-047963	5601	Cylinder	1
13	R-085280	5627	Block-Anvil	1
14	R-047966	5626	Bushing-Anvil Block	1
15	R-047968	5646-A	Front Head (1 1/4" Hex.)	1
16	R-047969	5646-B	Front Head (1 1/4" Hex.)	1
17	R-052316	5649-A	Front Head Assembly (1 1/4" Hex.) (Including: No.15, 39, 40, 41, 42, 43, 44, 45, 50, 51, 52 & 53)	1
18	R-052317	5649-B	Front Head Assembly (1 1/4" Hex.) (Including: No.16, 39, 40, 41, 42, 43, 44, 45, 50, 51, 52 & 53)	1
24	R-133433	5618	Pin-Spirol	2
25	F-814725	5617	Lever-Throttle	1
26	F-815285	5611	Back Head (Including: No.1)	1
27	F-815390		Back Head Assembly (Including: No.24, 25 & 26)	1
29	R-092894	5614	Valve Throttle (Including: No.30 & 31)	1
30	R-098368	5615	Seal-Throttle Valve	1
31	R-098369	5620	Ring-Seal Retaining	1
32	R-047965	5612	Seal-Cylinder	1
33	P-103521	5637	O-Ring (-128)	1
34	R-110317	5650	O-Ring (Special)	1
35	R-085269	5635	Swivel-Air Inlet	1
36	R-000530	5636	Nut-Inlet Swivel	1
38	R-005717	5616	Spring-Throttle Valve	1
39	R-086982	5634	Spring-Plunger	1
40	R-092497	5633	Plunger Latch	1
41	R-092493	5628	Latch-Retainer	1
42	R-008999	5630	Nut-Elastic Stop (3/4"-16)	1
43	R-076562	5632	Bushing-Retainer Bolt	1
44	R-055818	5631	Bushing-Retainer Latch	1
45	R-076853	5629	Bolt-Latch	1
46	R-006131	5625	Nut-Hex. (9/16"-18)	4
47	P-006239	5624	Lock Washer (9/16")	4
48	R-047962	5623	Bolt-Back Head	4
49	R-122152	5682	Hood-Muffler	1
50	R-047970	5639	Bolt-Front Head	2
51	R-047971	5642	Spring-Front Head	2
52	R-090584	5641	Lock-Front Head Nut	2
53	R-005721	5640	Nut-Front Head	2
54	R-117415		Screw-Soc.Hd. (Special)	4
55	R-053916		Front Head (Spike Driver)	1
56	R-085573		Block-Driving	1
57	F-816345	5013	Grip-Handle	2



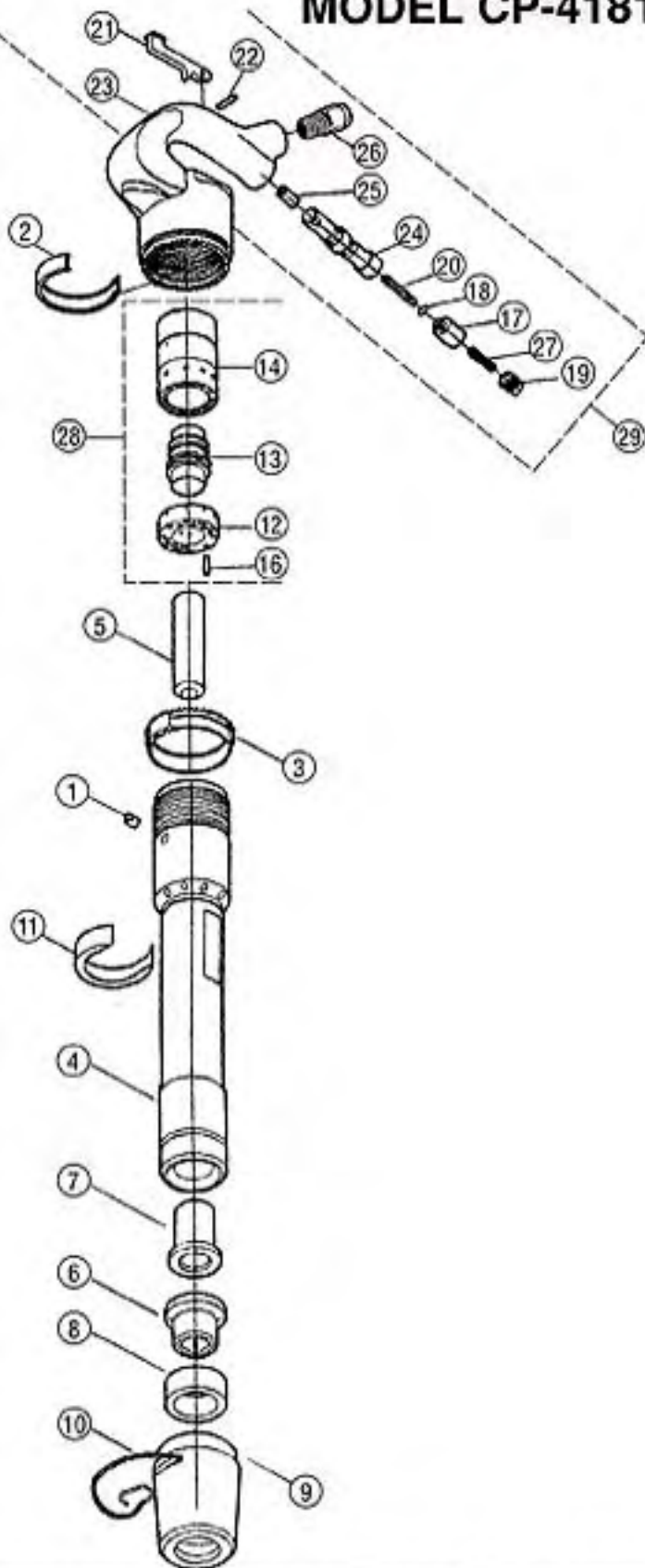
# CHICAGO PNEUMATIC TOOLS

# DEMOLITION TOOLS MODEL CP-1210, 1210S

SYM. NO.	PART NO.	NO.	DESCRIPTION	AMT. REQ.
1	R-110211		Valve Case Assembly (Including: No.2 thru 6)	1
2	R-110206	5305	Case-Valve	1
3	R-110207	5307	Cover-Valve Case	1
4	R-110208	5304	Valve	1
5	R-110210	5308	O-Ring (-139)	2
6	C-054897	5609	Plug-Pipe (1/4")	1
7	R-110209	5310	Spacer-Valve Case	1
8	R-092493	5628	Retainer-Latch	1
9	R-048540	5331	Bushing-Latch	1
10	F-815274		Back Head Complete (Including: No.11, 12 & 13)	1
11	F-814725	5617	Lever-Throttle	1
12	R-133433	5618	Pin-Spirol	2
13	R-814723	5311	Back Head (Including: No.39)	1
14	R-815478		Front Head Complete (Including: No.8, 9 & 10)	1
15	F-815478	5321	Front Head	1
16	R-041073	5341	Lock-Nut	2
17	R-086982	5634	Spring-Plunger	1
18	R-092497	5633	Plunger-Latch	1
19	R-093698	5342	Spring-Front Head	2
20	R-110217	5339	Bolt-Front Head	2
21	R-110218	5340	Nut-Front Head Bolt	2
22	R-133434	5329	Pin-Spirol	1
23	R-005717	5616	Spring-Throttle Valve	1
24	R-075599	5336	Nut-Air Inlet	1
25	R-085427	5327	Block-Anvil	1
26	R-110203	5326	Bushing-Anvil Block	1
27	R-110212	5303	Piston	1
28	R-110214	5323	Bolt-Back Head	4
29	R-110215	5312	Seal-Cylinder	1
30	F-814720	5335	Swivel-Air Inlet	1
31	F-814724	5301	Cylinder	1
32	C-065384	5324	Lock Washer	4
33	R-114525	5325	Nut-Back Head	4
34	R-056605	5337	O-Ring (-124)	1
35	C-106884	5350	O-Ring (-019)	1
36	R-092894	5614	Valve-Throttle (Including: No.37 & 38)	1
37	R-096368	5615	Seal-Throttle Valve	1
38	R-096369	5620	Ring-Valve Seal Retaining	1
39	R-075031	5619	Plug-Oil	1
40	F-814928	5382	Muffler Complete (Including: No.41)	1
41	R-117415		Screw-Allen Cap	3

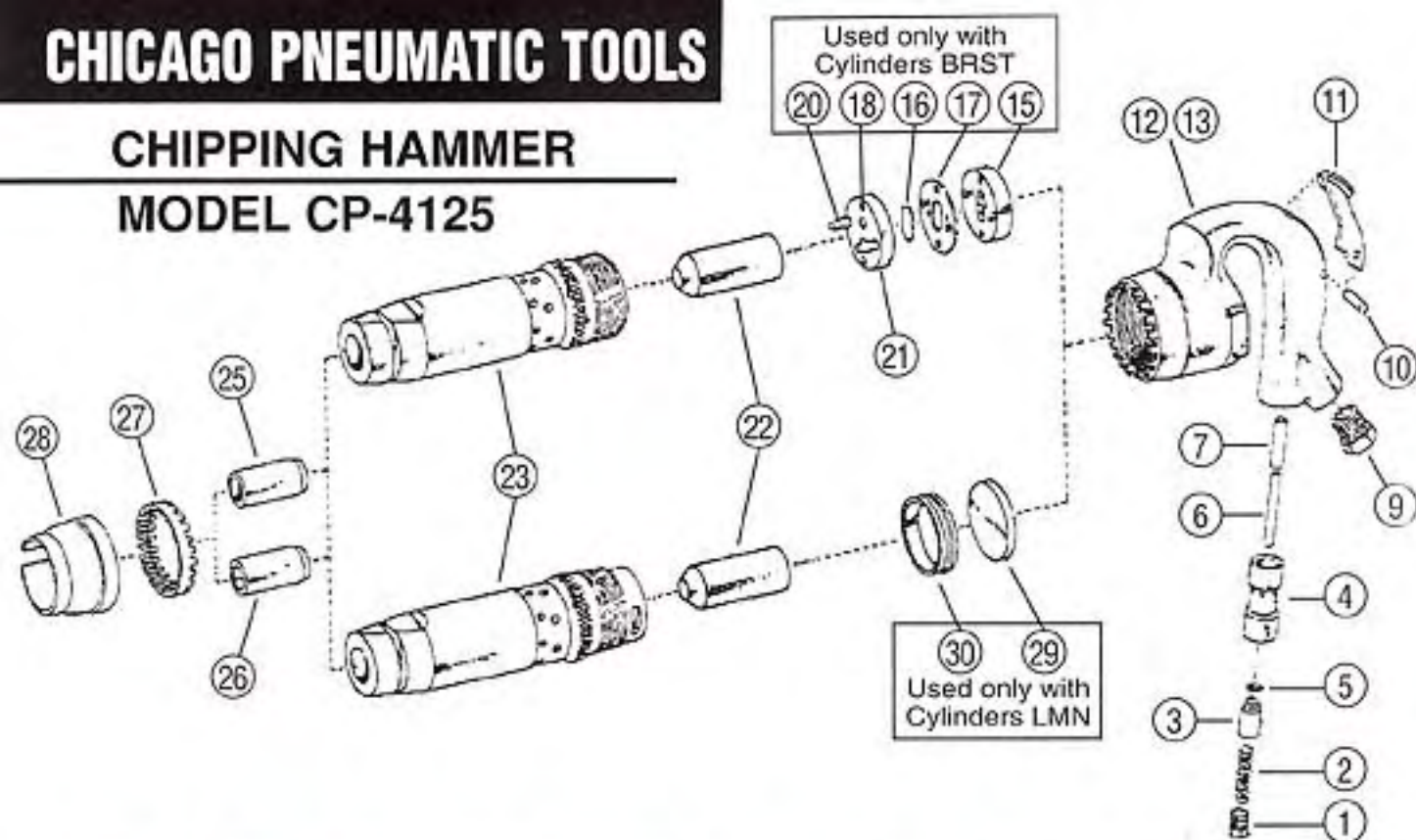


SYM. NO.	PART NO.	NO.	DESCRIPTION	AMT. REQ.
1	P-001430	5280	Key-Lock Collar	1
2	P-001355	5279	Spring Clip	1
3	P-001399	5278	Lock Collar	1
4	P-071848	5276	Cylinder (8")	1
	P-073310	5376	Cylinder (11")	1
5	P-001225	5277	Piston (8")	1
	P-001231	5377	Piston (11")	1
6	P-072333	9624-B	Lower Sleeve	1
7	P-072332	9625	Upper Sleeve	1
8	P-072334	9623-B	Rubber Bumper	1
9	P-071849	5621-B	Sleeve-Retainer	1
10	P-073942	9622	Lock Spring	1
11	P-001389	5281	Deflector-Exhaust	1
12	P-006320	5273	Lid-Valve Case	1
13	P-001538	5272	Valve	1
14	P-006319	5271	Case Valve	1
16	P-001632	5275	Valve Case Dowel	1
17	P-001799	5265	Throttle Valve	1
18	P-083071	5290	Throttle Valve O-Ring	1
19	P-001873	5268	Throttle Valve Plug	1
20	P-004834	5269	Throttle Valve Push Pin	1
21	P-001982	5263	Throttle Lower	1
22	P-001915	5264	Throttle Lower Pin	1
23	P-007347	5261	Handle	1
24	P-007325	5266	Throttle Tube	1
25	P-004839	5270	Throttle Valve Bushing	1
26	P-001983	5236	Air Inlet Bushing (3/8" NPT)	1
27	P-001853	5267	Throttle Valve Spring	1
28	P-007385	5274	Valve Complete	1
29	P-007164	5262	Handle Complete	1



# CHICAGO PNEUMATIC TOOLS

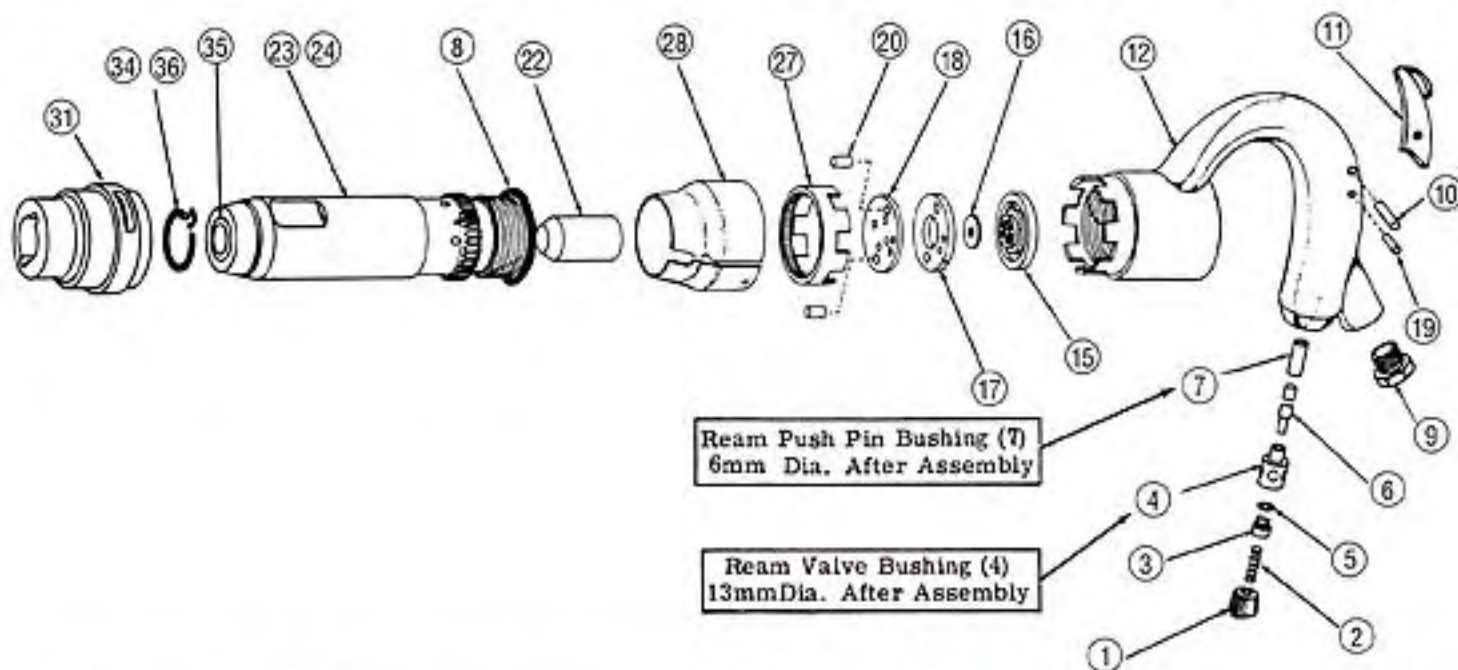
## CHIPPING HAMMER MODEL CP-4125



SYM. NO.	PART NO.	NO.	DESCRIPTION	AMT. REQ.
1	P-001873	5119	Plug-Throttle Valve	1
2	P-001853	5116	Spring-Throttle Valve	1
3	P-001768	5114	Valve-Throttle (Incl. No. 5)	1
4	P-071318	5115	Tube-Throttle Valve	1
5	P-083071	5113	O-Ring (-011)	1
6	P-070719	5109	Pin-Throttle Valve Push	1
7	P-070733	5110	Bushing-Push Pin	1
9	P-009585	6136	Bushing-Permanent	1
10	A-043627	5118	Pin-Throttle Lever	1
11	P-009818	5117	Lever-Throttle	1
12	P-130259		Handle Assy. (Incl. Index No's. 4, 7 & 9)	1
13	P-130242		Handle Cp. (Incl. 1, 2, 3, 6, 9, 10, 11 & 12)	1
15	P-071350	5105	Lid-Upper Valve Case (Simple)	1
16	P-071358	5104	Valve (Simple)	1

SYM. NO.	PART NO.	NO.	DESCRIPTION	AMT. REQ.
17	P-071352	5107	Case-Valve	1
18	P-071351	5106	Lid-Lower Valve Case	1
20	A-041797	5108	Pin-Dowel	2
21			Valve Case Cp. (Simple) (Incl. No's. 15 Thru 20)	1
22	P-114386	5103-1	Piston 1"	1
	P-118662	5103-2	Piston 2"	1
	P-114388	5103-3	Piston 3"	1
	P-118678	5103-4	Piston 4"	1
23			Cylinder	1
25	P-001550	6144-R	Sleeve-Chisel (Round)	1
26	P-001551	6144-H	Sleeve-Chisel (Hex.)	1
27	P-120247	5123	Collar-Lock	1
28	P-071355	5122	Shield-Exhaust	1
29	P-009837	5146	Lid (Ring Valve)	1
30	P-009836	5147	Valve (Ring Valve)	1





SYM. NO.	PART NO.	NO.	DESCRIPTION	AMT. REQ.
1	TP-124849	6119	Plug-Throttle Valve	1
2	TP-124850	6116	Spring-Throttle Valve	1
3	TP-124851	6114	Valve-Throttle (Including: No.5)	1
4	TP-124852	6115	Bushing-Throttle Valve	1
5	TP-124853	6113	O-Ring	1
6	TP-124854	6109	Pin-Push	1
7	TP-124855	6110	Bushing-Push Pin	1
8	H-062562	6102	O-Ring (-224)	1
9	TP-124856	6136	Bushing-Permanent	1
10	TP-124857	6118-B	Pin-Throttle Lever	1
11	TP-124858	6117	Lever-Throttle	1
12	TP-124859	6111	Handle (Including: No. 4, 7 & 9)	1
15	TP-124860	6105	Lid-Upper Valve Case	1
16	TP-124861	6104	Valve	1
17	TP-124862	6107	Case-Valve	1
18	TP-124863	6106	Lid-Lower Valve Case	1
19	TP-124864	6118-A	Pin-Stop	1
20	TP-124865	6108	Pin-Dowel	2
22	TP-124866	6103-2	Piston (CP-9362)	1
	TP-124872	6103-3	Piston (CP-9363)	1
	TP-124874	6103-4	Piston (CP-9364)	1
23	TP-124867	6101-2	Cylinder (CP-9362)	1
	TP-124873	6101-3	Cylinder (CP-9363)	1
	TP-124875	6101-4	Cylinder (CP-9364)	1
24	TP-129577		Cylinder Assembly (Including: TP-124867 & TP-124885) (CP-9362) (Round)	1

SYM. NO.	PART NO.	NO.	DESCRIPTION	AMT. REQ.
	TP-129578		Cylinder Assembly (Including: TP-124867 & TP-125643) (CP-9362) (Hex)	1
	TP-129579		Cylinder Assembly (Including: TP-124873 & TP-124885) (CP-9363) (Round)	1
	TP-129580		Cylinder Assembly (Including: TP-124873 & TP-125643) (CP-9363) (Hex)	1
	TP-129581		Cylinder Assembly (Including: TP-124875 & TP-124885) (CP-9364) (Round)	1
	TP-129582		Cylinder Assembly (Including: TP-124875 & TP-125643) (CP-9364) (Hex)	1
27	TP-124868	6123	Clip-Lock	1
28	TP-124869	6122	Shield-Lock	1
31	TP-124870	9101	Sleeve-Retainer (Including: No.34)	1
34	P-070994	9105	Spring-Lockcoil	1
35	TP-124885	6144-R	Bushing-Cylinder (Round)	1
	TP-125643	6144-H	Bushing-Cylinder (Hex)	1
36	P-135246		Retainer-Polyurethane	1