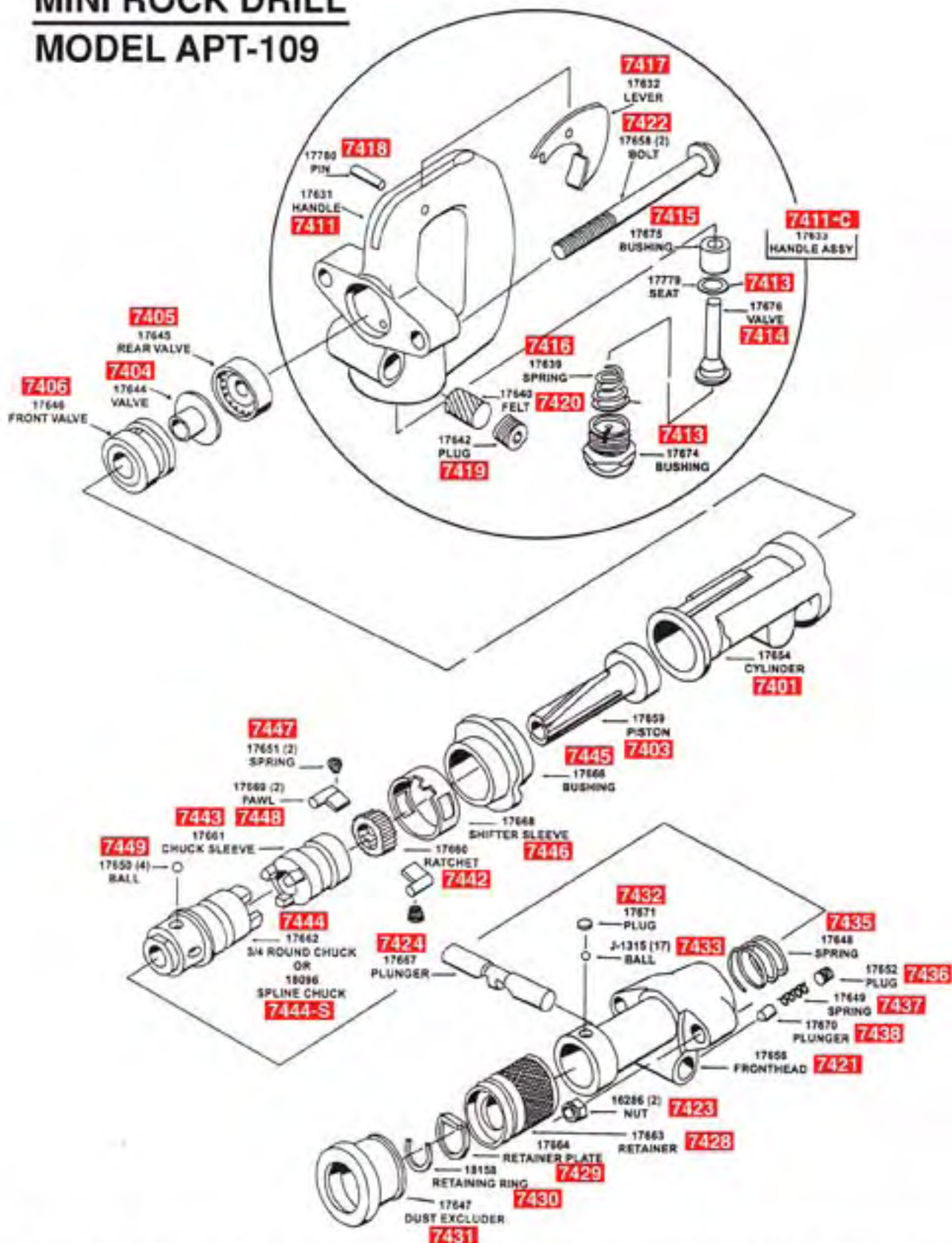


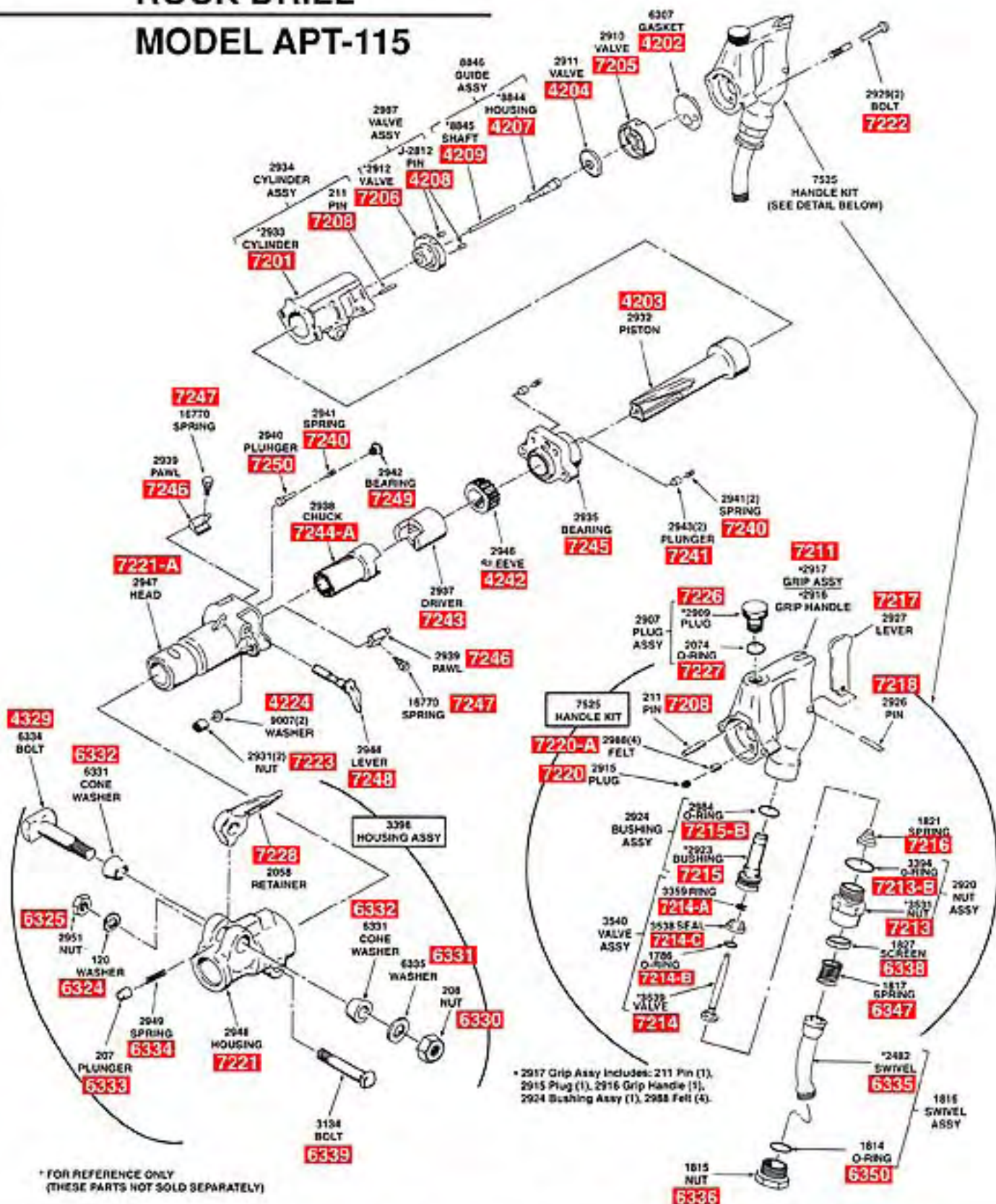
AMERICAN PNEUMATIC TOOLS

MINI ROCK DRILL MODEL APT-109



AMERICAN PNEUMATIC TOOLS

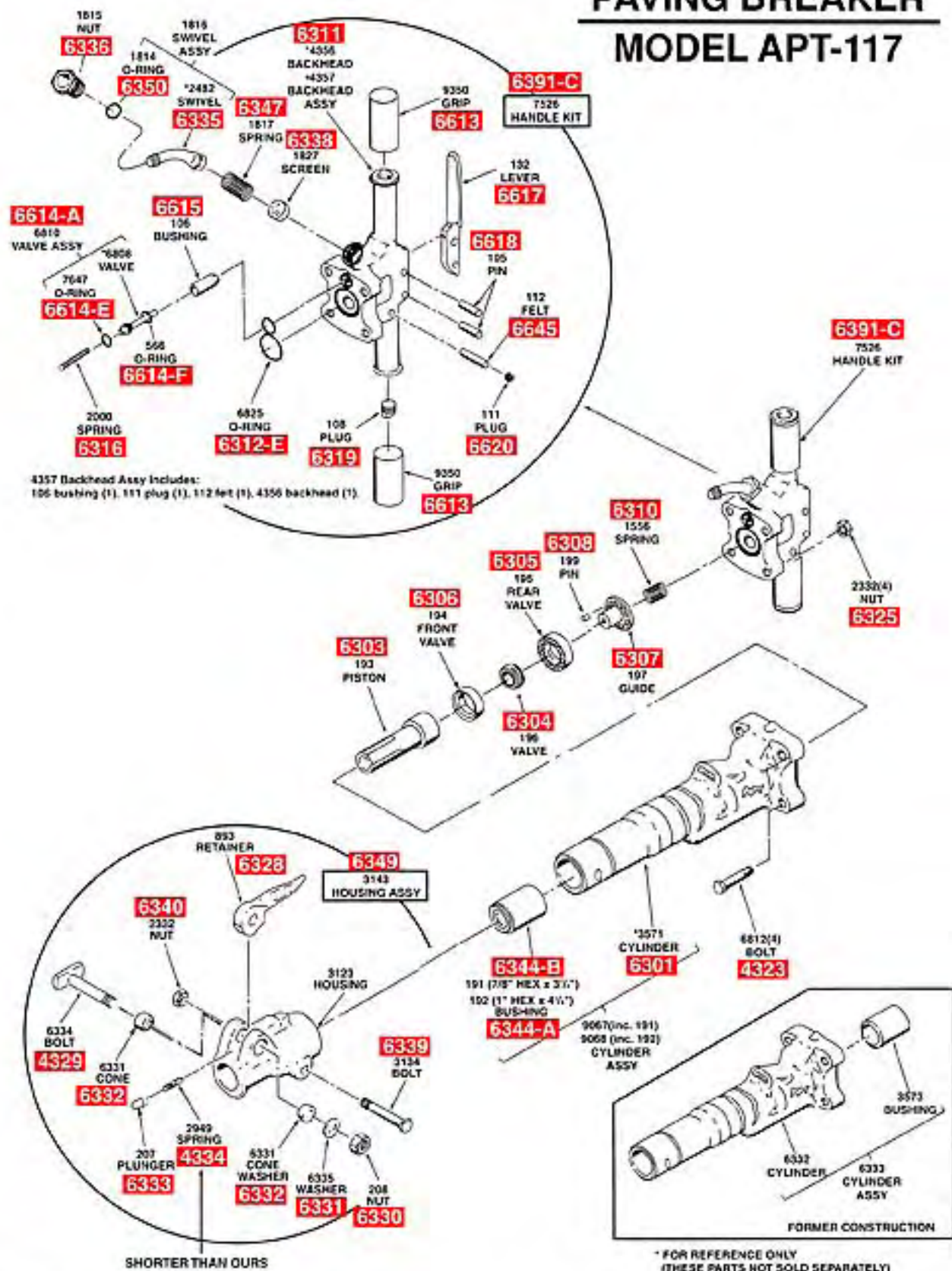
ROCK DRILL MODEL APT-115



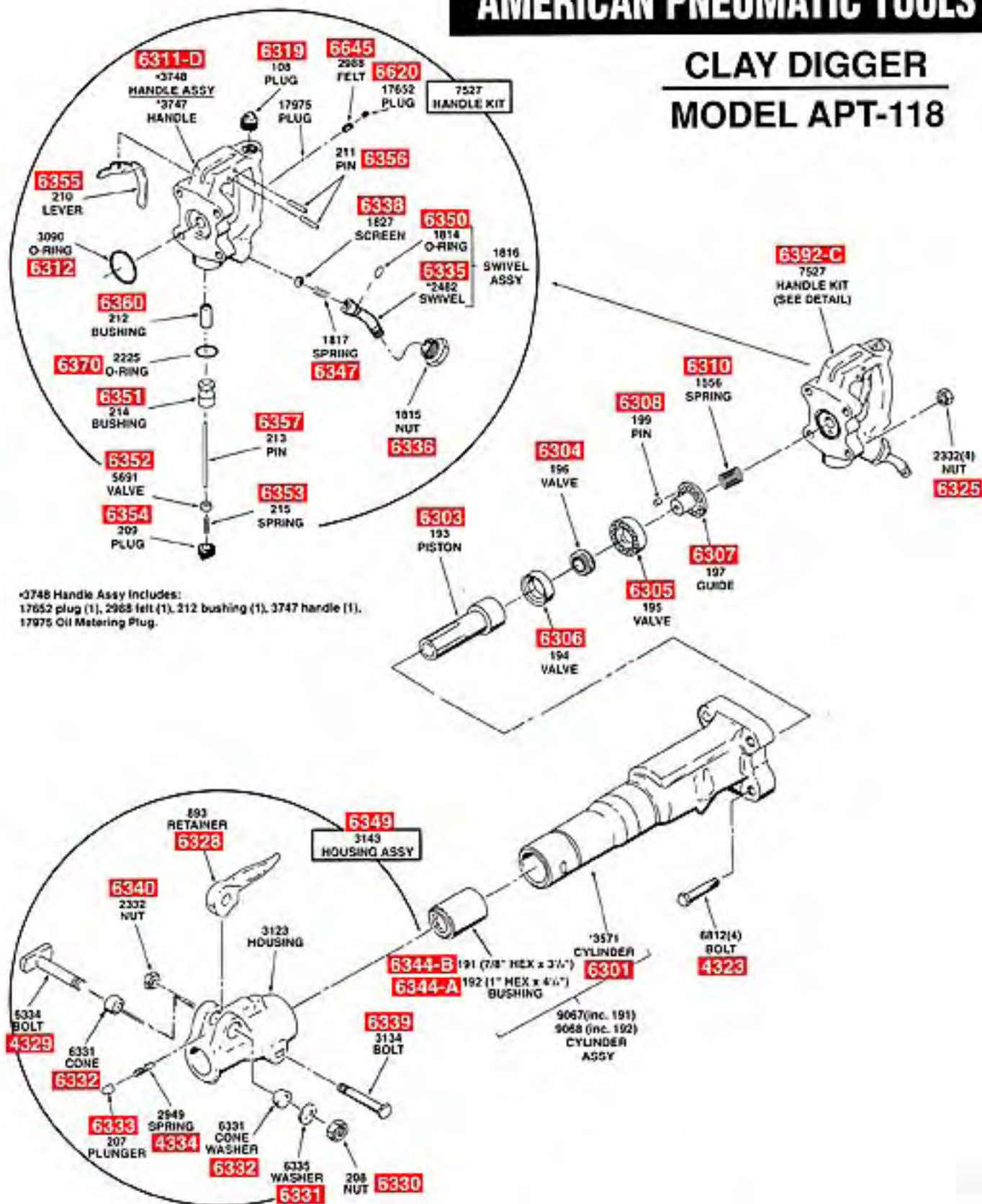
* FOR REFERENCE ONLY
(THESE PARTS NOT SOLD SEPARATELY)

* 2917 Grip Assy Includes: 211 Pin (1),
2915 Plug (1), 2916 Grip Handle (1),
2924 Bushing Assy (1), 2988 Felt (4).

PAVING BREAKER MODEL APT-117

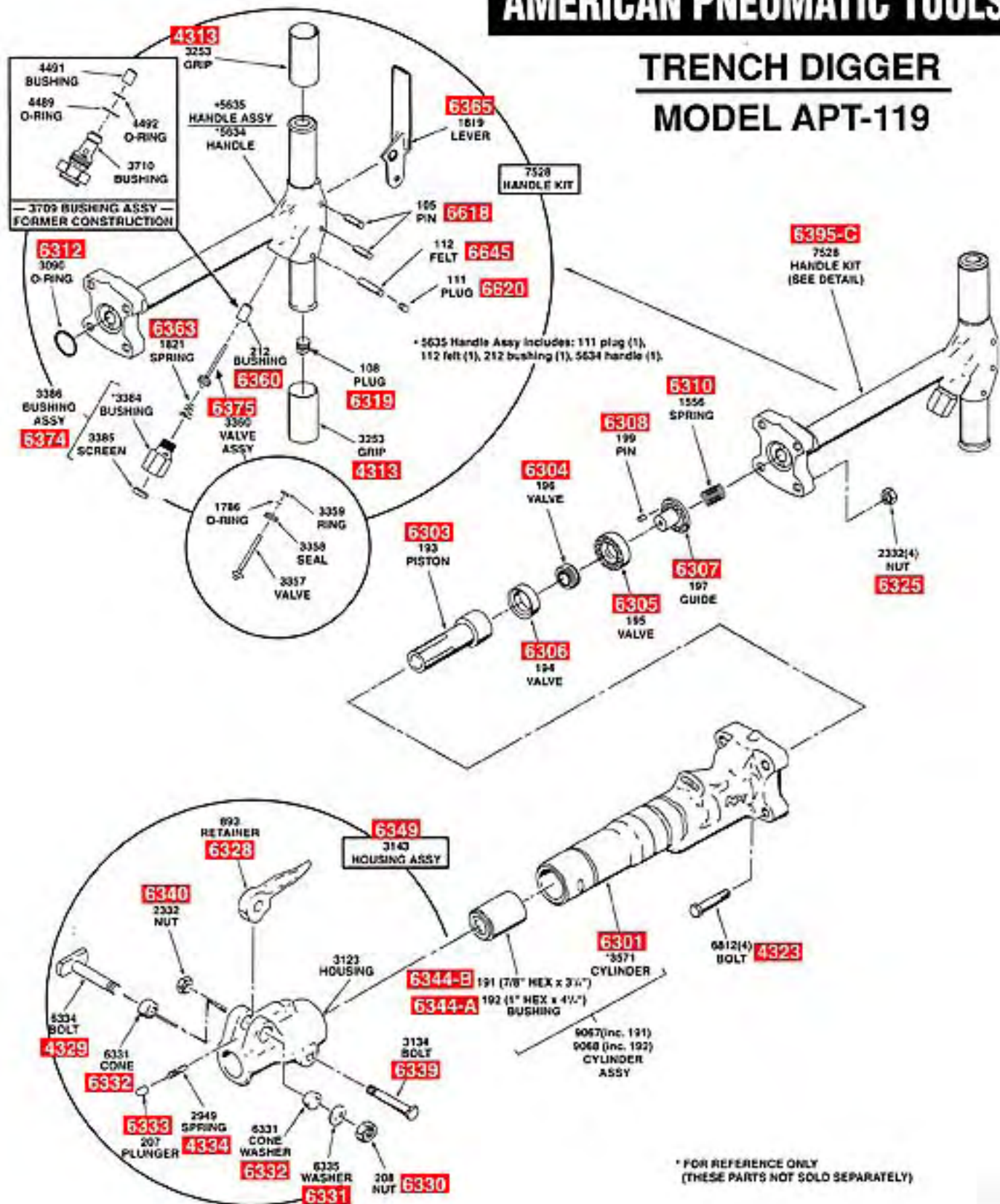


CLAY DIGGER MODEL APT-118



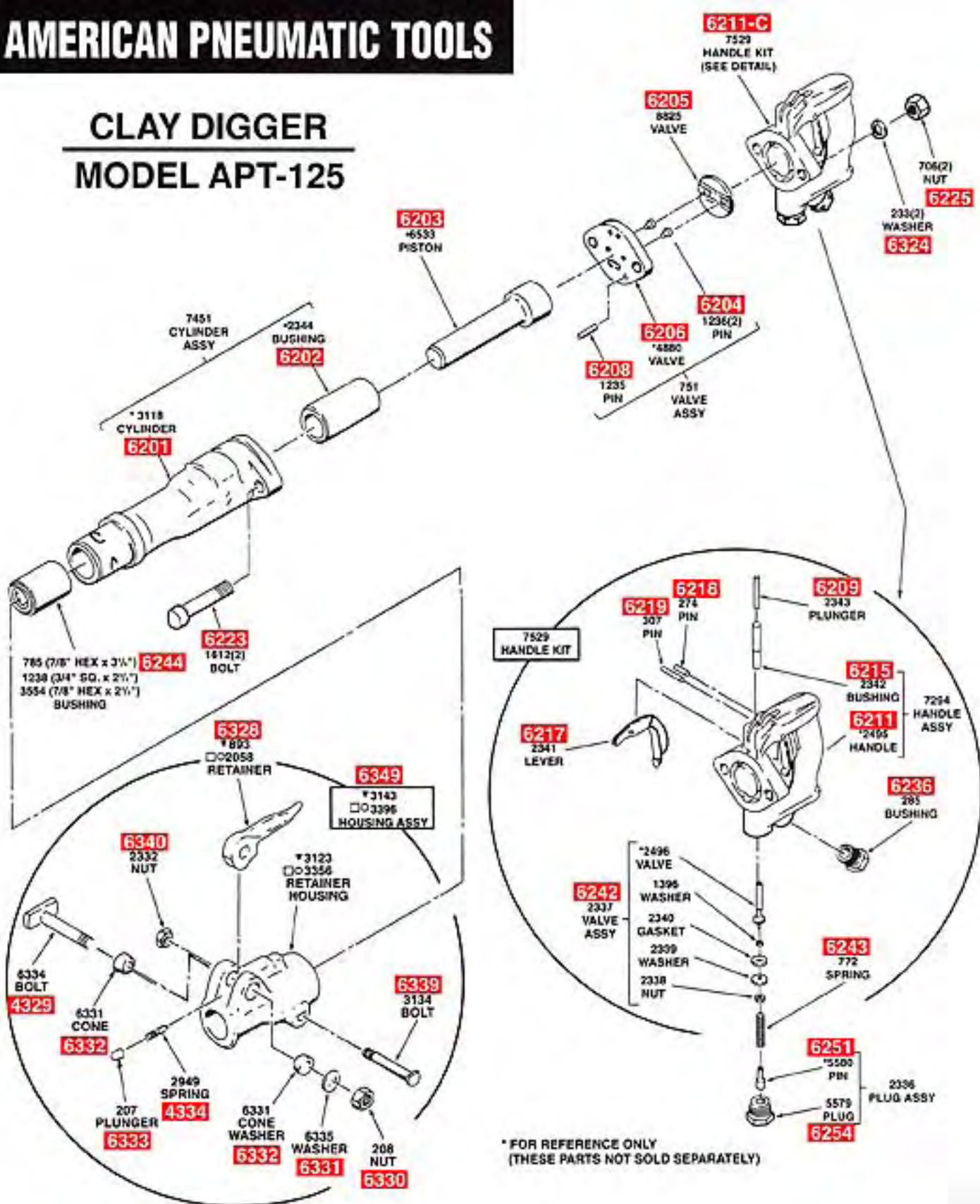
*3748 Handle Assy Includes:
17652 plug (1), 2985 felt (1), 212 bushing (1), 3747 handle (1),
17975 Oil Metering Plug.

TRENCH DIGGER MODEL APT-119



* FOR REFERENCE ONLY
(THESE PARTS NOT SOLD SEPARATELY)

CLAY DIGGER MODEL APT-125

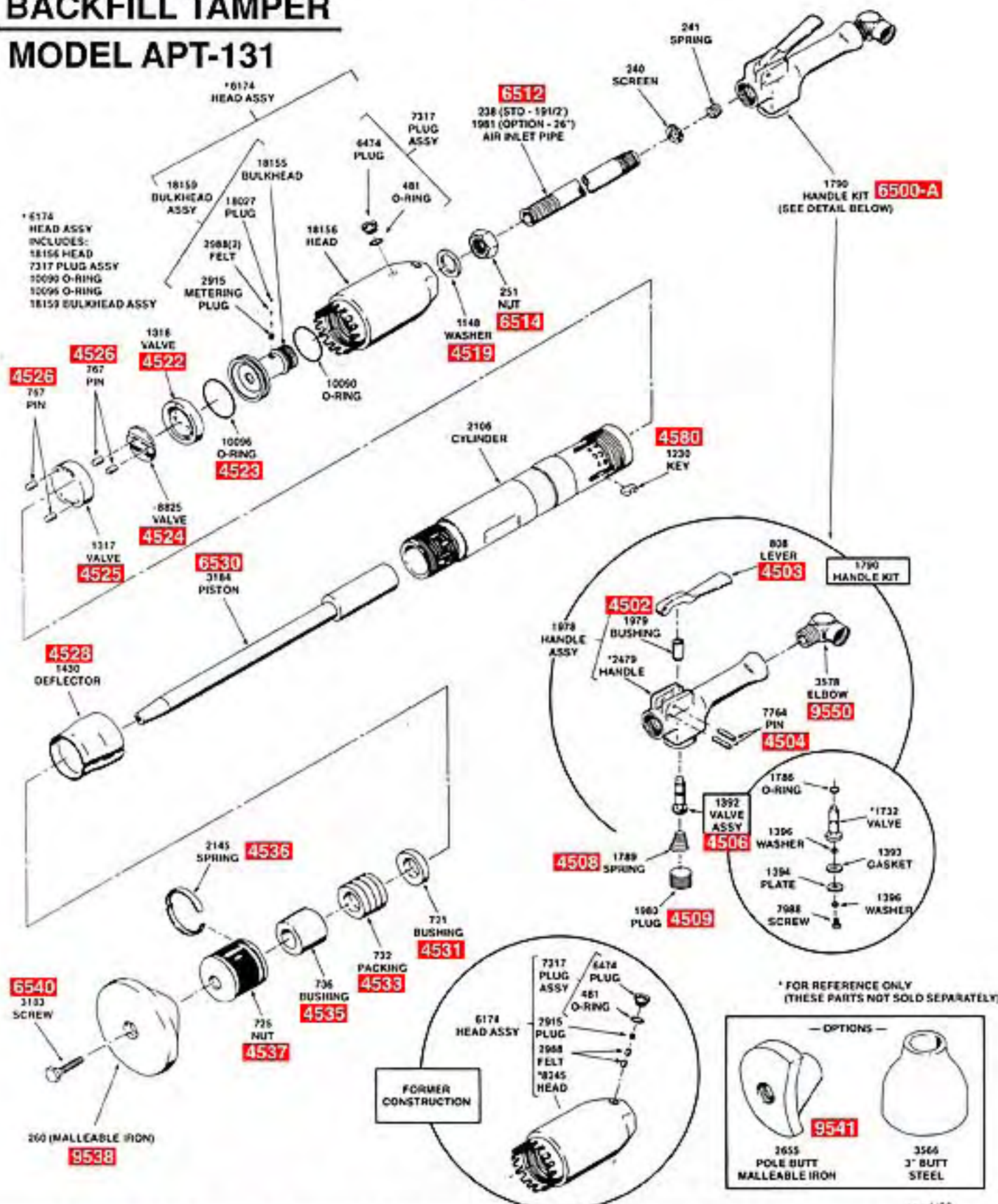


* FOR REFERENCE ONLY
(THESE PARTS NOT SOLD SEPARATELY)

AMERICAN PNEUMATIC TOOLS

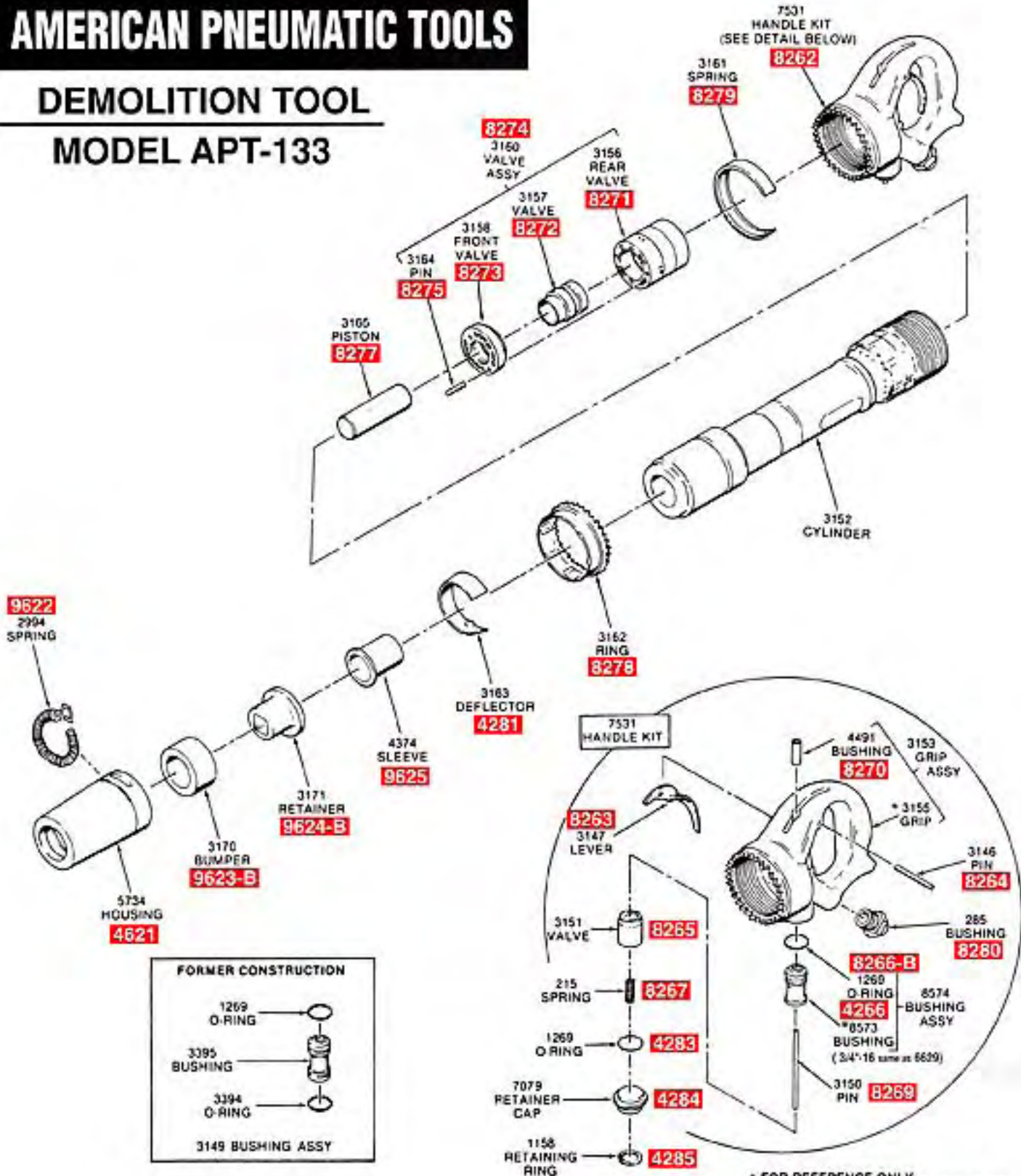
BACKFILL TAMPER

MODEL APT-131

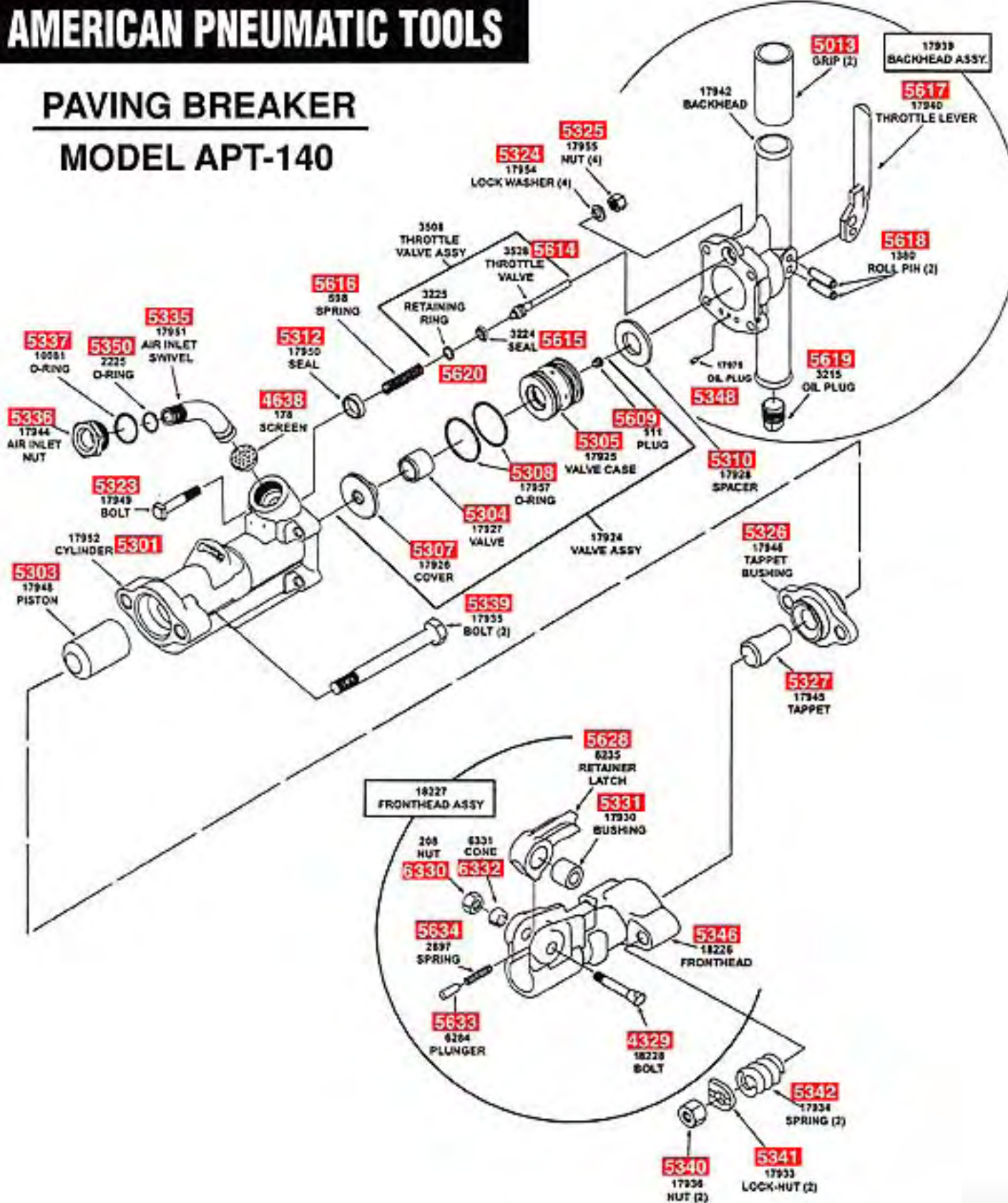


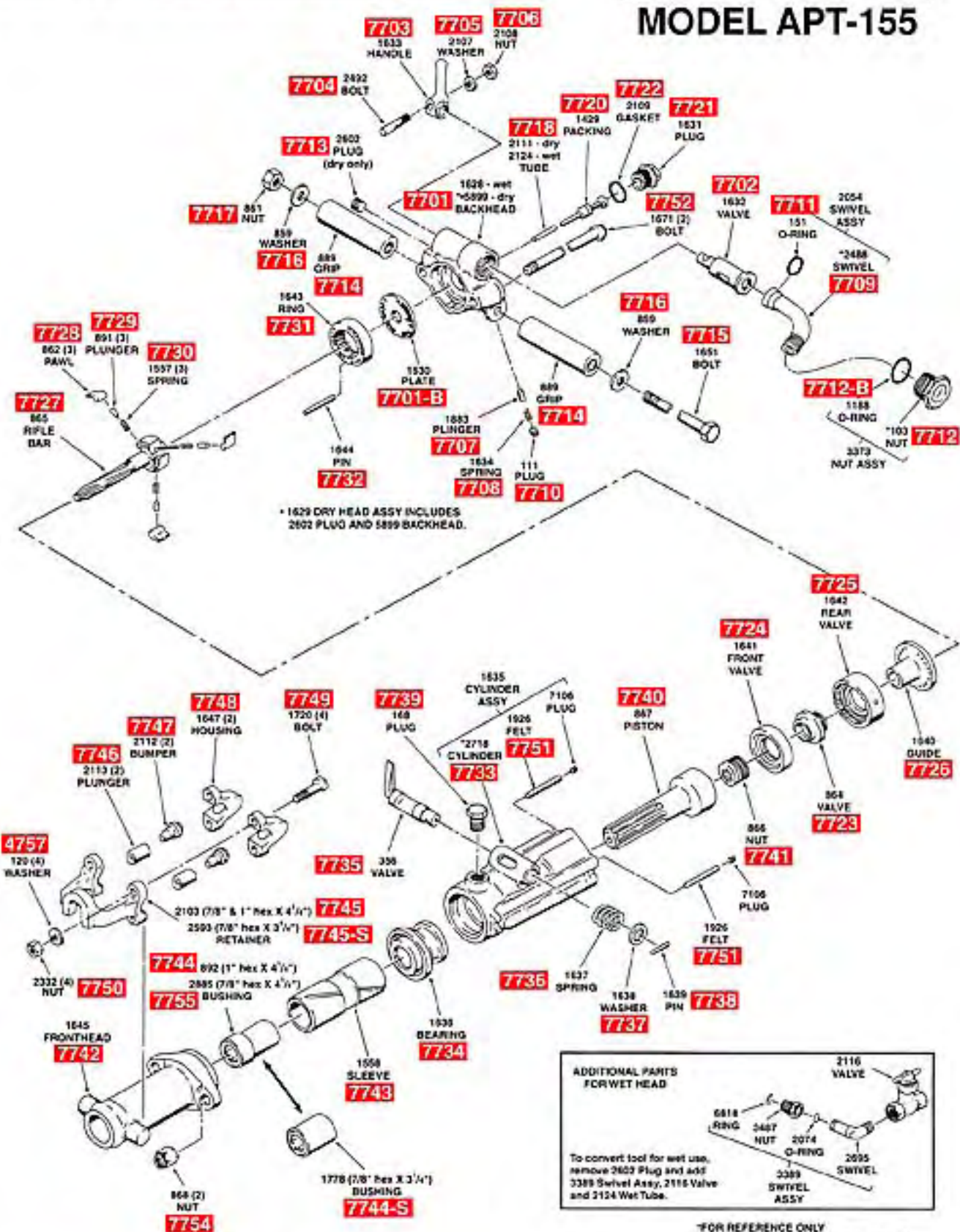
AMERICAN PNEUMATIC TOOLS

DEMOLITION TOOL MODEL APT-133



PAVING BREAKER MODEL APT-140



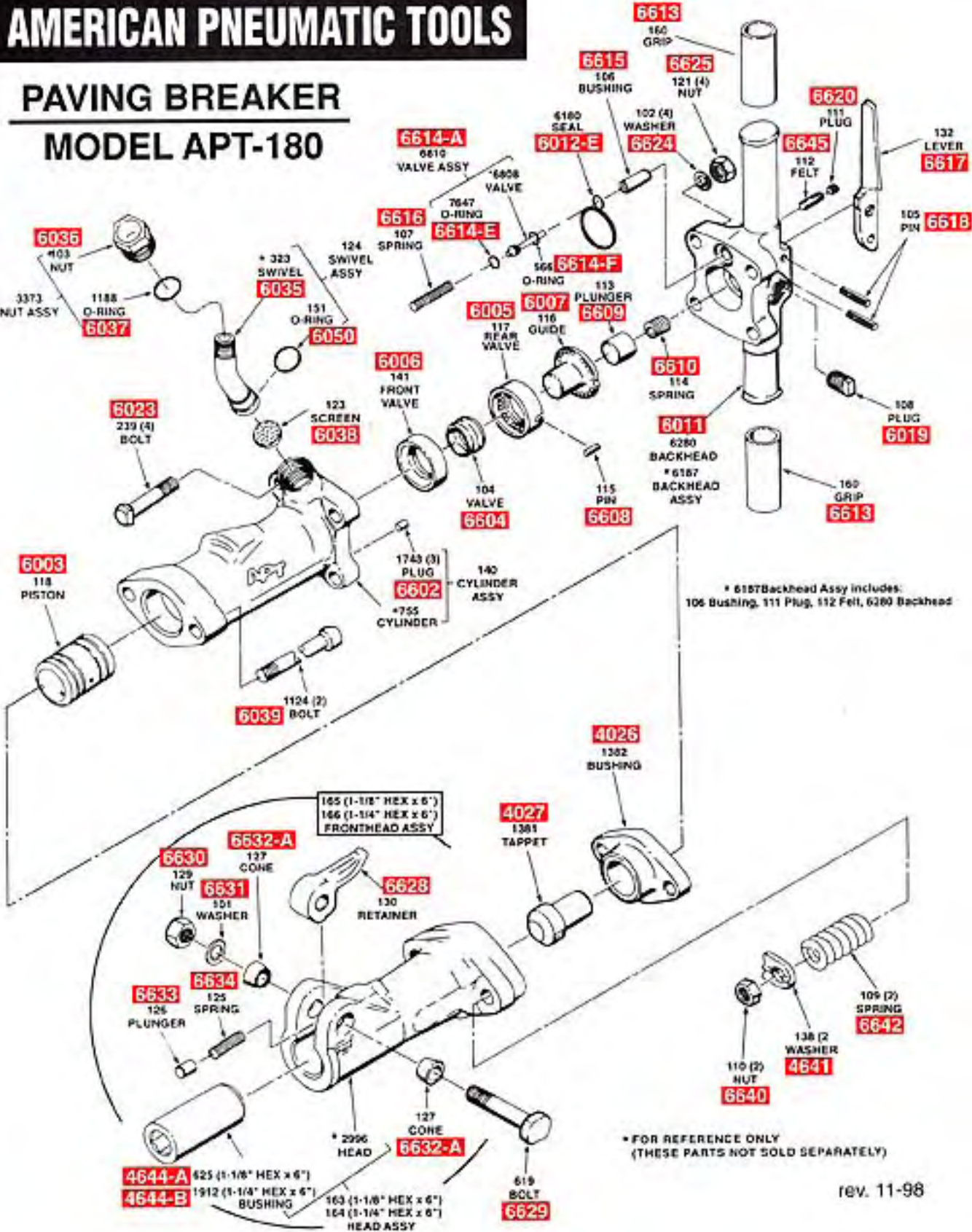


ADDITIONAL PARTS FOR WET HEAD

To convert tool for wet use, remove 2602 Plug and add 3389 Swivel Assy, 2116 Valve and 2124 Wet Tube.

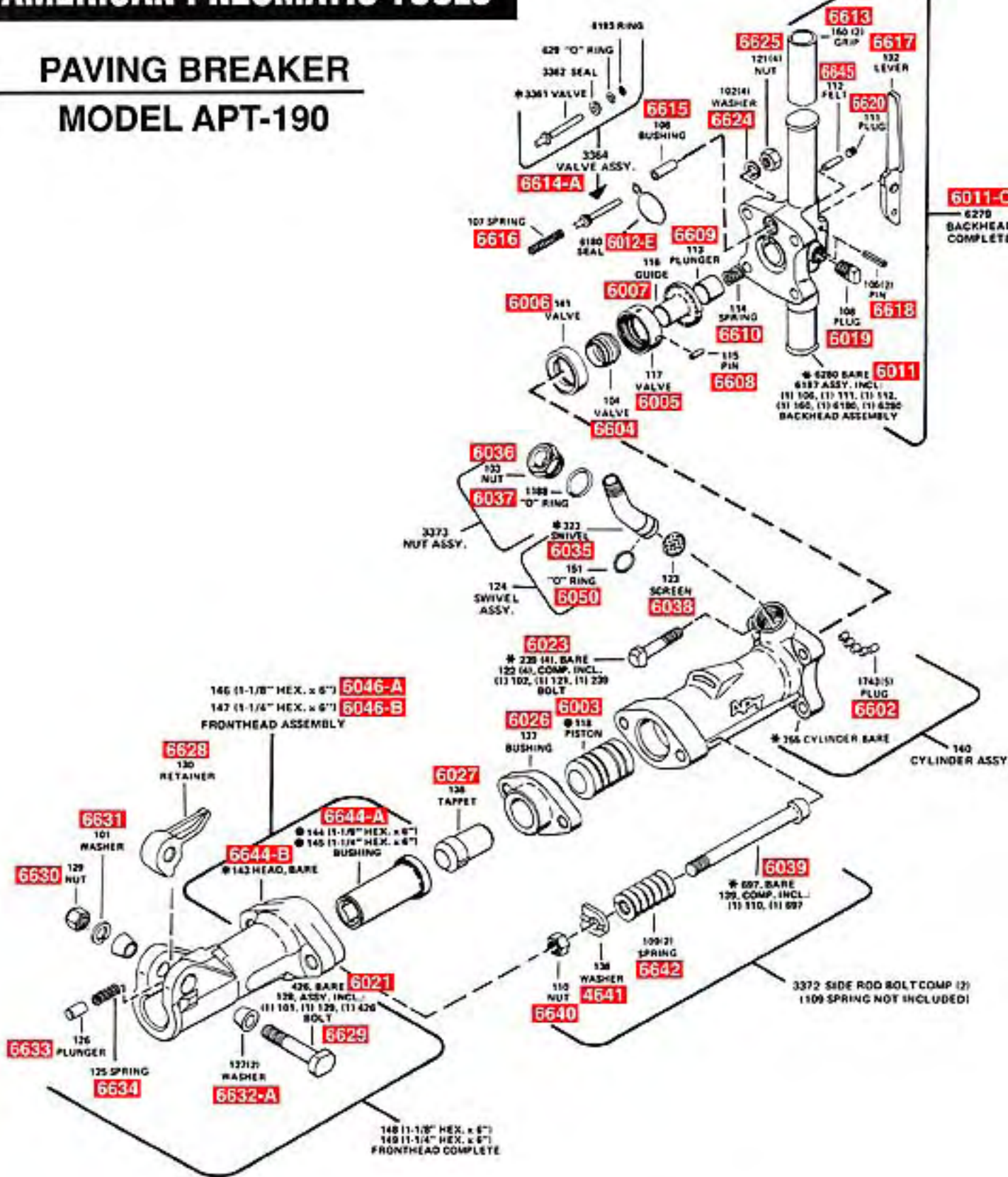
*FOR REFERENCE ONLY
(THESE PARTS NOT SOLD SEPARATELY)

PAVING BREAKER MODEL APT-180



rev. 11-98

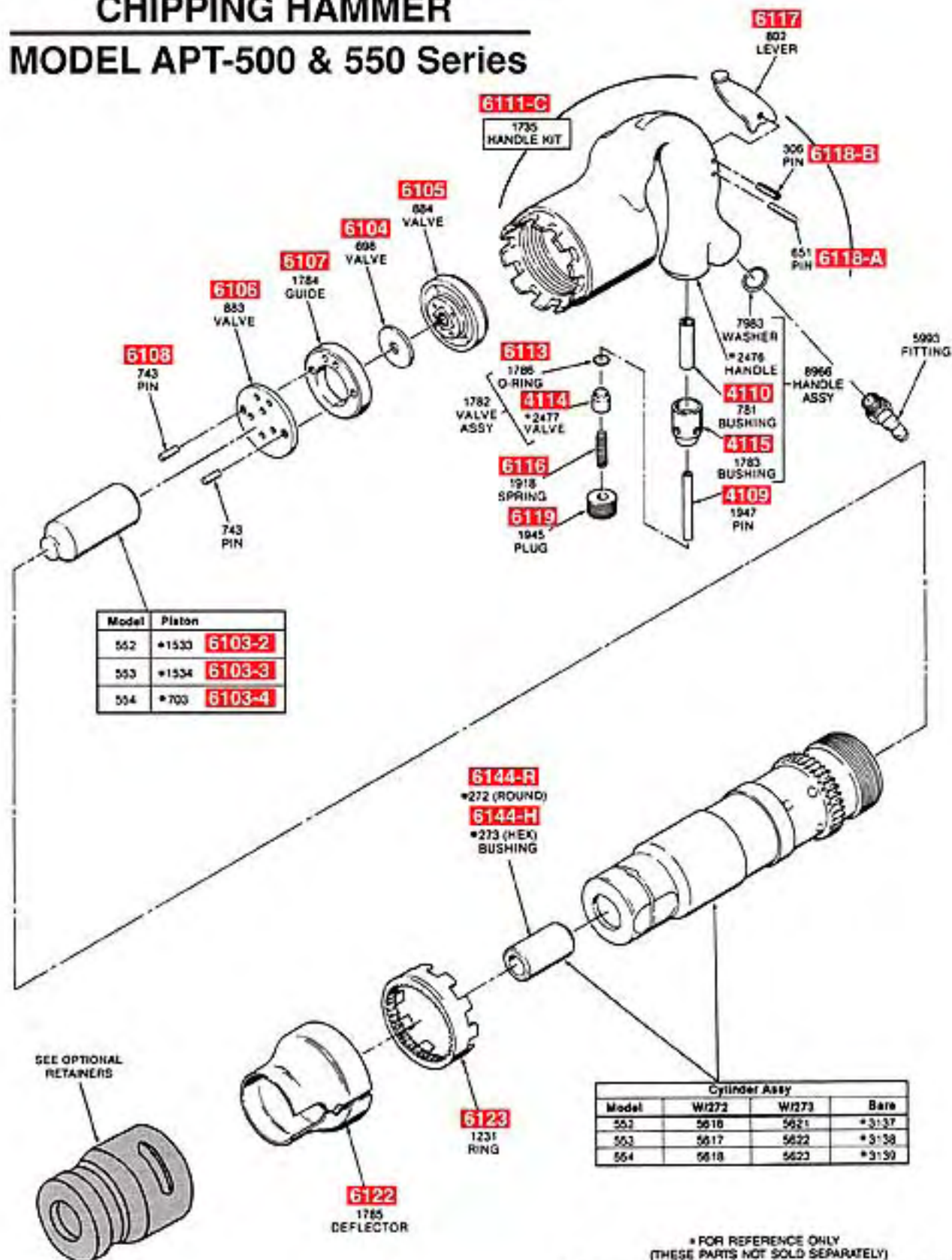
PAVING BREAKER MODEL APT-190



AMERICAN PNEUMATIC TOOLS

CHIPPING HAMMER

MODEL APT-500 & 550 Series



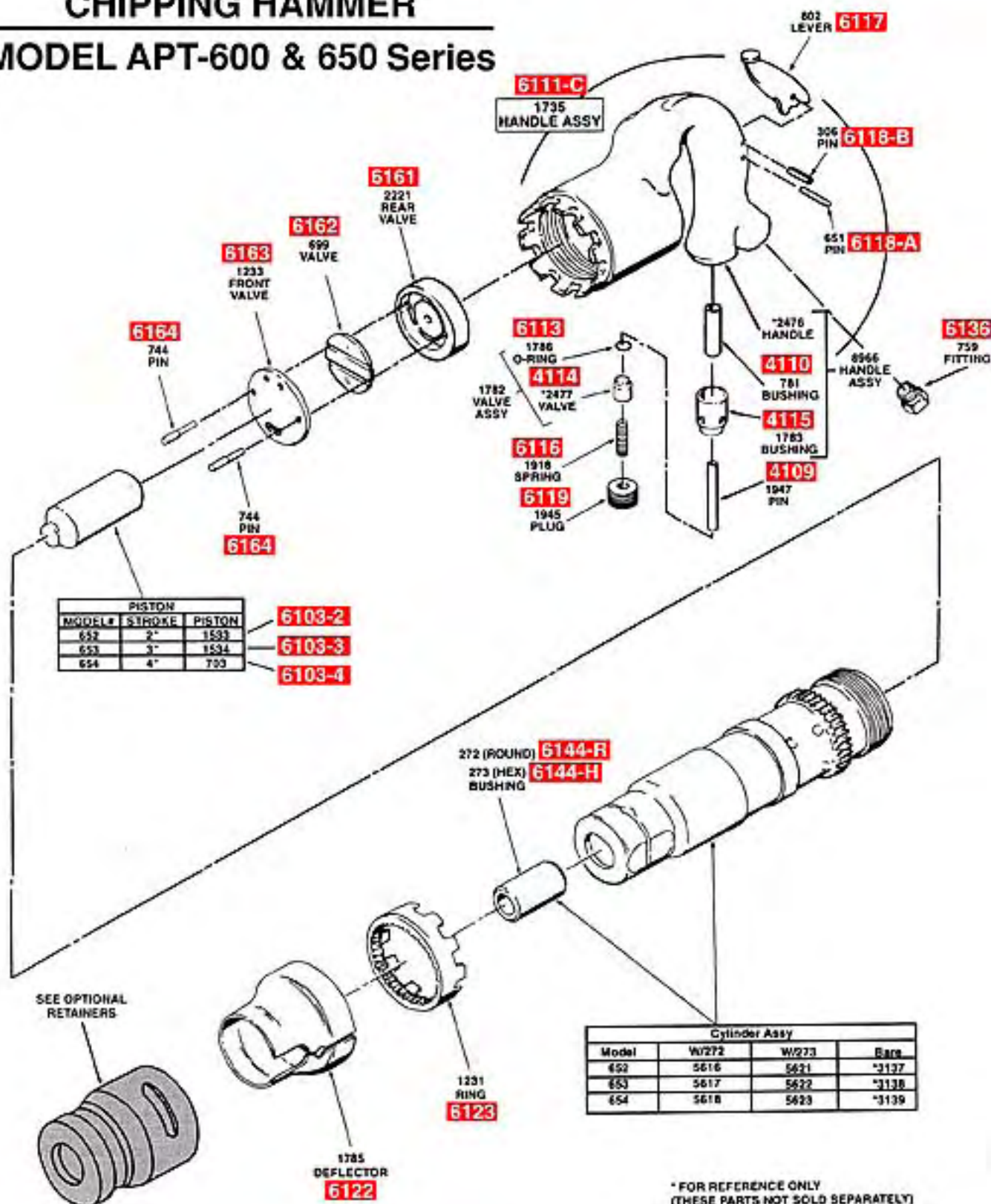
*FOR REFERENCE ONLY
(THESE PARTS NOT SOLD SEPARATELY)

*Piston and bushing are available oversize — .002, .006, & .010.

AMERICAN PNEUMATIC TOOLS

CHIPPING HAMMER

MODEL APT-600 & 650 Series



AMERICAN PNEUMATIC TOOLS

RIVET BUSTER

MODEL APT-1133

