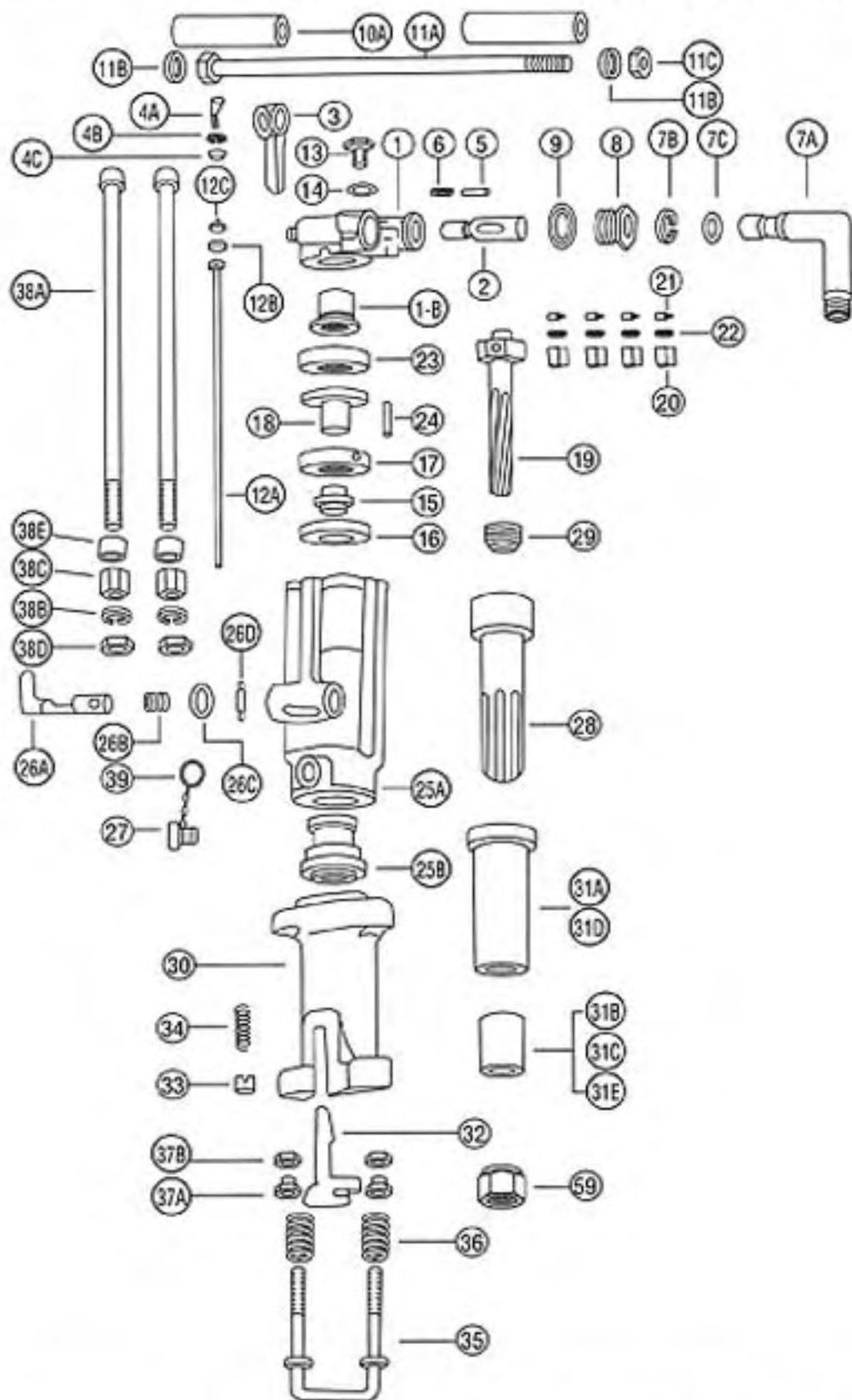


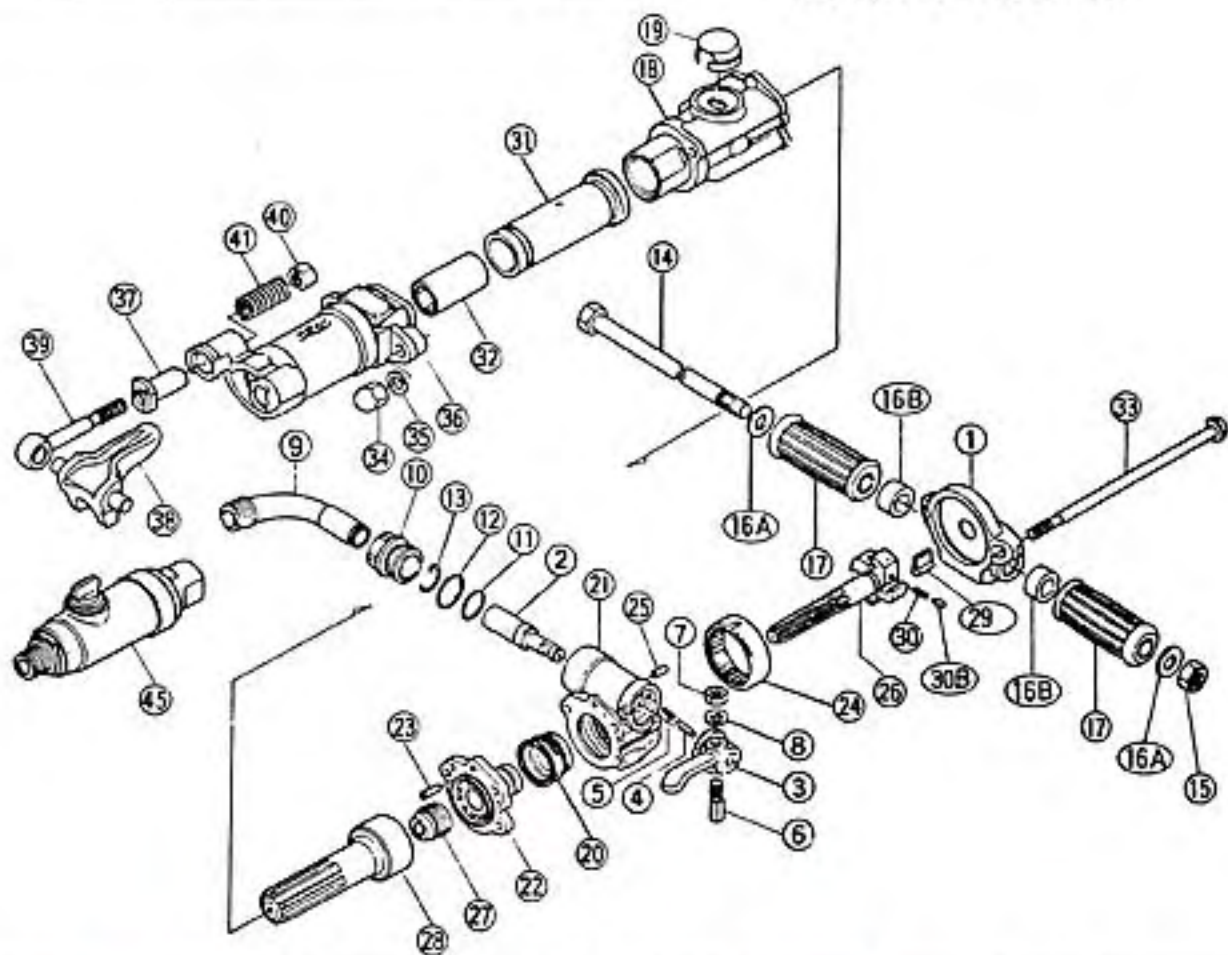
JET EQUIPMENT TOOLS

ROCK DRILL MODEL RD-60

SYM. NO.	PART NO.	NO.	DESCRIPTION	AMT. REQ.
1	RD60-01-	7501	Back Head Assy.	1
1-B	RD60-01B	7540	Back Head Bushing	1
2	RD60-02	7502	Throttle Valve	1
3	RD60-03	7503	Throttle Valve Handle	1
4-A	RD60-04A	7504	Throttle Valve Handle Bolt	1
4-B	RD60-04B	7541	Throttle Valve Bolt Washer	1
4-C	RD60-04C	7542	Throttle Valve Bolt Nut	1
5	RD60-05	7505	Detent Plunger	1
6	RD60-06	7506	Detent Plunger Spring	1
7-A	RD60-07A	7507	Air Connection Tube	1
7-B	RD60-07B	7543	Air Connection Clamp	1
7-C	RD60-07C	7544	Air Connection Ring	1
8	RD60-08	7508	Air Connection Cap	1
9	RD60-09	7509	Air Connection Washer	1
10-A	RD60-10A	7510	Grip Handle CP.	2
11-A	RD60-11A	7511	Handle Bolt	1
11-B	RD60-11B	7545	Handle Washer	2
11-C	RD60-11C	7546	Hex. Nut 5/8"	1
12-A	RD60-12A	7512	Blow Tube	1
12-B	RD60-12B	7547	Blow Tube Washer	1
12-C	RD60-12C	7548	Blow Tube Rubber	1
13	RD60-13	7513	Blow Tube Gland	1
14	RD60-14	7514	Blow Air Tube Gasket	1
15	RD60-15	7515	Valve	1
16	RD60-16	7516	Valve Chest (Under)	1
17	RD60-17	7517	Valve Chest (Upper)	1
18	RD60-18	7518	Valve Plug	1
19	RD60-19	7519	Rifle Bar	1
20	RD60-20	7520	Rotation Pawl	4
21	RD60-21	7521	Pawl Plunger	4
22	RD60-22	7522	Pawl Spring	4
23	RD60-23	7523	Ratchet Ring	1
24	RD60-24	7524	Ratchet Pawl Pin	1
25-A	RD60-25A	7525	Cylinder	1
25-B	RD60-25B	7549	Cylinder Bushing	1
26-A	RD60-26A	7526	Exhaust Control Valve	1
26-B	RD60-26B	7550	Exhaust Control Spring	1
26-C	RD60-26C	7551	Exhaust Control Washer	1
26-D	RD60-26D	7552	Exhaust Control Pin	1
27	RD60-27	7527	Filter Plug CP.	1
28	RD60-28	7528	Piston	1
29	RD60-29	7529	Rifle Nut	1
30	RD60-30	7553	Chuck End (Long)	1
31-A	RD60-31A	7554	Rotation Sleeve (Long)	1
31-B	RD60-31B	7556	Sleeve Bushing (7/8" x 4-1/4")	1
31-C	RD60-31C	7557	Sleeve Bushing (1" x 4-1/4")	1
31-D	RD60-31D	7531	Rotation Sleeve (Short)	1
31-E	RD60-31E	7555	Chuck Liner (7/8" x 3-1/4")	1
32	RD60-32	7532	Steel Puller	1
33	RD60-33	7533	Steel Puller Pivot	1
34	RD60-34	7534	Steel Puller Spring	1
35	RD60-35	7535	Steel Puller Yoke	1
36	RD60-36	7536	Steel Puller Yoke Spring	2
37-A	RD60-37A		See RD60-37C	
37-B	RD60-37B		See RD60-37C	
37-C	RD60-37C	7537	Yoke Nut	2
38-A	RD60-38A	7538	Through Bolt	2
38-B	RD60-38B	7559	Through Bolt Nut Washer	2

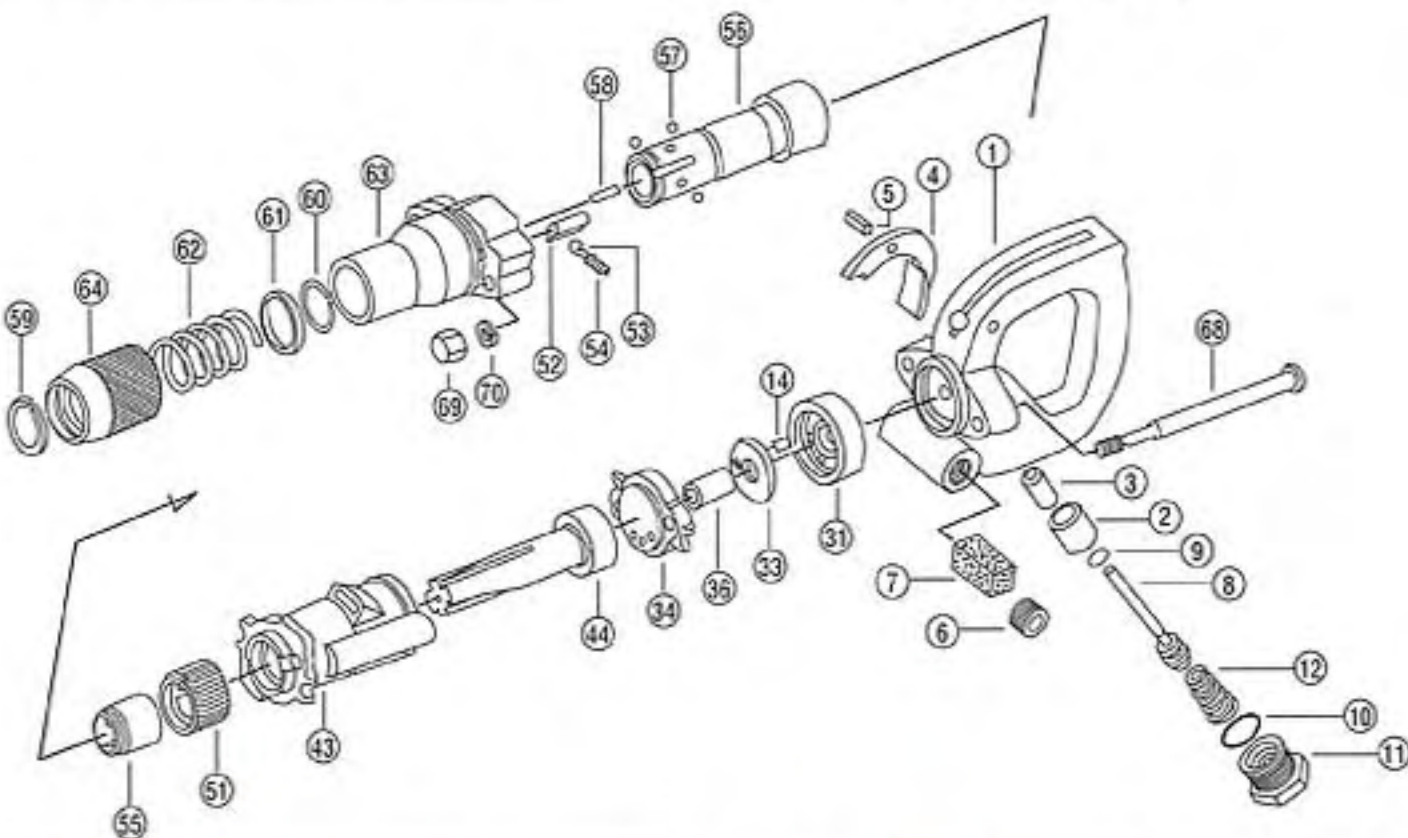
SYM. NO.	PART NO.	NO.	DESCRIPTION	AMT. REQ.
38-C	RD60-38C	7560	Through Bolt Nut-Long	2
38-D	RD60-38D	7561	Through Bolt Nut-Short	2
38-E	RD60-38E	7562	Spacer Ring	2
39	RD60-39	7539	Filler Plug Chain	1





SYM. NO.	PART NO.	NO.	DESCRIPTION	AMT. REQ.
1	RD30-01	7301	Back Head	1
2	RD30-02	7302	Throttle Valve	1
3	RD30-03	7303	Throttle Valve Handle	1
4	RD30-04	7304	Throttle Valve Plunger	1
5	RD30-05	7305	Throttle Valve Spring	1
6	RD30-06A	7306	TV Bolt-Coarse Thread	1
	RD30-07A	7307	TV Nut (M10)-Coarse Thread	1
8	RD30-08	7308	Throttle Valve Washer	1
9	RD30-09	7309	Air Connection Tube	1
10	RD30-10	7310	Air Connection Nut	1
11	RD30-11	7311	Air Connection O-Ring (P-24)	1
12	RD30-12	7312	Air Connection O-Ring (P-30)	1
13	RD30-13	7313	Air Connection Clamp	1
14	RD30-14	7314	Handle Bolt	1
15	RD30-15	7315	Handle Bolt Nut	1
16-A	RD30-16A	7315-A	Handle Bolt Washer	2
16-B	RD30-16B	7315-B	Grip Handle Washer	2
17	RD30-17	7317	Handle Grip	2
18	RD30-18	7318	Cylinder	1
19	RD30-19	7319	Exhaust Cap	1
20	RD30-20	7320	Valve	1
21	RD30-21	7321	Valve Chest	1
22	RD30-22	7322	Valve Guide	1
23	RD30-23	7323	Valve Knock	1
24	RD30-24	7324	Ratchet	1

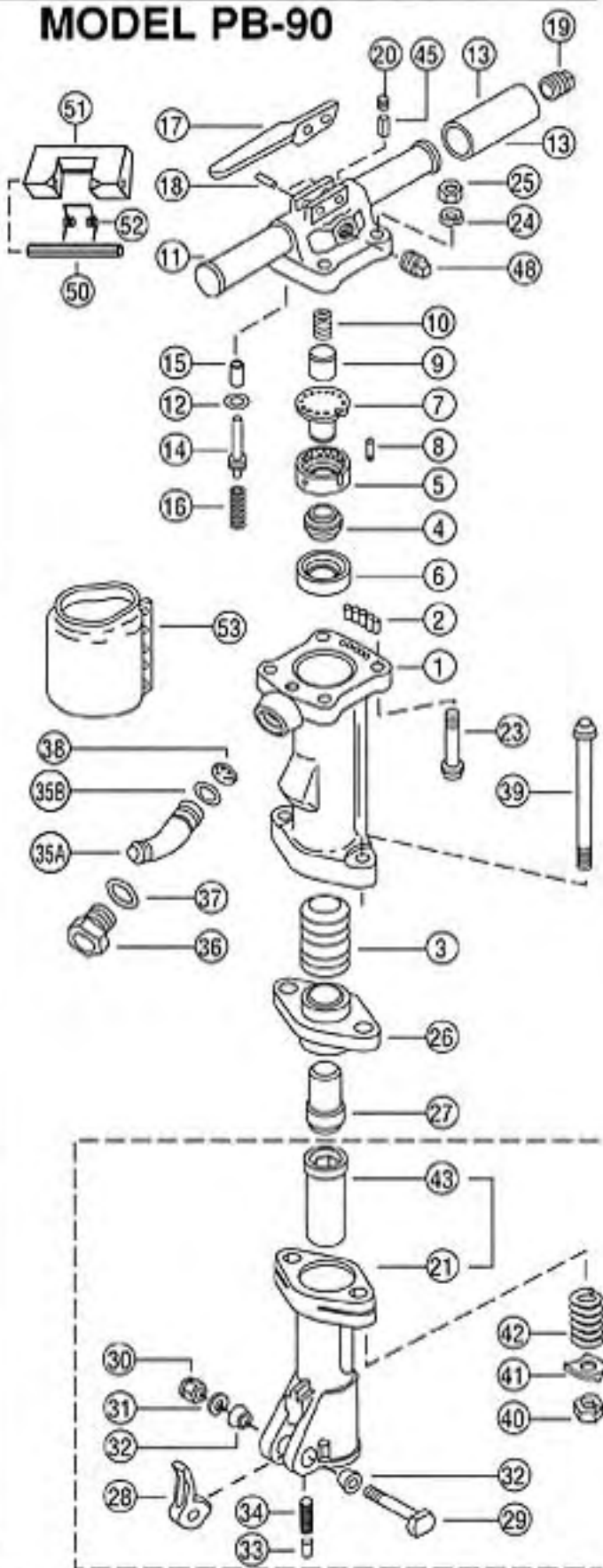
SYM. NO.	PART NO.	NO.	DESCRIPTION	AMT. REQ.
25	RD30-25	7325	Ratchet Key	1
26	RD30-26A	7326	Rifle Bar (New Style)	1
27	RD30-27	7327	Rifle Nut	1
28	RD30-28	7328	Piston	1
29	RD30-29	7329-A	Rotation Pawl	4
30	RD30-30A	7330	Pawl Spring (New Style)	4
30-B	RD30-30B	7329-B	Pawl Plunger	4
31	RD30-31	7331	Rotation Sleeve-Long 6-1/2"	(1)
	RD30-31A	7331-A	Rotation Sleeve-Short 5-1/2"	1
32	RD30-32	7332	Sleeve Bushing-Long 3-5/8"	(1)
	RD30-32A	7332-A	Sleeve Bushing-Short 2-5/8"	1
33	RD30-33	7333	Through Bolt	2
34	RD30-34	7334	Through Bolt Nut	2
35	RD30-35	7335	Through Bolt Washer	2
36	RD30-36	7336	Front Head-Long 8-3/4"	(1)
	RD30-36A	7336-A	Front Head-Short 7-3/4"	1
37	RD30-37	7337	Front Head Bushing	2
38	RD30-38	7338	Steel Holder	1
39	RD30-39	7339	Steel Holder Bolt	2
40	RD30-40	7340	Steel Holder Nut	2
41	RD30-41	7341	Steel Holder Spring	2
45	RD30-45P	7345	Line Oiler	1



SYM. NO.	PART NO.	NO.	DESCRIPTION	AMT. REQ.
1	430430A00	7101	Handle	1
2	430430D50	7109	Throttle Valve Bushing	1
3	430430N00	7110	Plunger Bushing	1
4	430430D40	7102	Throttle Lever	1
5	130606025	7103	Spring Pin	1
6	134901003	7104	Hex. Socket Head Plug	1
7	136303011	7105	Lubricator Felt	1
8	430430D60	7107	Throttle Valve	1
9	131108009	7106	O-Ring	1
10	131101020	7108	O-Ring	1
11	430430M60	7111	Inlet Adapter	1
12	130803062	7112	Throttle Valve Spring	1
14	130605008	7114	Valve Pin	1
31	430432C40	7113	Valve Chest	1
33	430432C00	7115	Valve	1
34	430432C2B	7116	Valve Seat	1
36	430432C10	7138	Valve Guide	1
43	430430D00	7117	Cylinder	1
44	430430R70	7118	Piston	1

SYM. NO.	PART NO.	NO.	DESCRIPTION	AMT. REQ.
51	430442K40	7121	Ratchet Ring	1
52	430430K50	7126	Rotation Pawl	2
53	430432N20	7124	Pawl Plunger	2
54	130803075	7125	Pawl Spring	2
55	430430L00	7122	Guide Nut	1
56	430432E90	7123	Chuck	1
57	SB-1/4	7131	Steel Ball	4
58	130409011	7136	Retainer Key	1
59	130803065	7137	Retainer Ring F	1
60	130803064	7129	Retainer Ring R	1
61	430430L20	7128	Thrust Bearing	1
62	130803066	7130	Retainer Spring	1
63	430430E5B	7120	Front Cover	1
64	430430P20	7127	Steel Retainer	1
68	131503041	7132	Through Bolt	2
69	134203012	7134	Through Bolt Nut	2
70	131301008	7133	Lock Washer	2

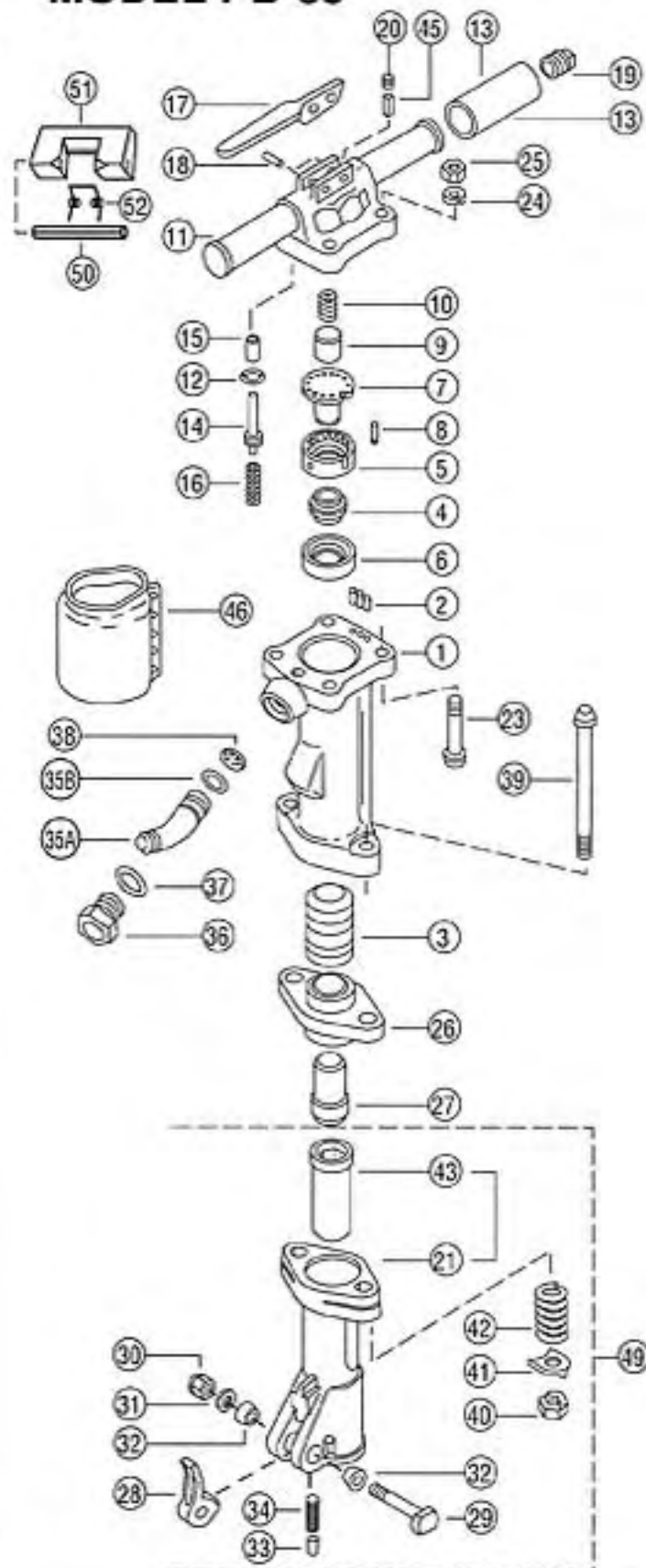
SYM. NO.	PART NO.	NO.	DESCRIPTION	AMT. REQ.
1	PB90-01	6001	Cylinder	1
2	PB90-02	6602	Cylinder Plug	5
3	PB90-03	6003	Piston Hammer	1
4	PB90-04	6604	Automatic Valve	1
5	PB90-05	6005	Valve Chest	1
6	PB90-06	6006	Valve Seat	1
7	PB90-07	6007	Valve Guide	1
8	PB90-08	6608	Valve Chest Dowel Pin	1
9	PB90-09	6609	Plunger	1
10	PB90-10	6610	Plunger Spring	1
11	PB90-11	6011	Back Head (Bare)	1
12	PB90-12	6612	O-Ring	1
13	PB90-13	6613	Rubber Grip	2
14	PB90-14	6614	Throttle Valve	1
15	PB90-15	6615	Throttle Valve Stem Guide	1
16	PB90-16	6616	Throttle Valve Spring	1
17	PB90-17	6617	Throttle Lever	1
18	PB90-18	6618	Throttle Lever Pin	2
19	PB90-19	6019	Oil Plug	1
20	PB90-20	6620	Oil Control Plug	1
21	PB90-21	6021	Front Head	1
23	PB90-23	6023	Back Head Bolt	4
24	PB90-24	6624	Lock Washer	4
25	PB90-25	6625	Back Head Bolt Nut	4
26	PB90-26	6026	Tappet Seat	1
27	PB90-27	6027	Tappet	1
28	PB90-28	6628	Steel Retainer	1
29	PB90-29	6629	Steel Retainer Bolt	1
30	PB90-30	6630	Steel Retainer Bolt Nut	1
31	PB90-31	6631	Lock Washer	1
32	PB90-32	6632-A	Steel Retainer Bolt Bushing	2
33	PB90-33	6633	Steel Retainer Plunger	1
34	PB90-34	6634	Steel Retainer Spring	1
35A	PB90-35	6035	Air Inlet Swivel	1
35B	PB90-35B	6050	Air Inlet O-Ring	1
36	PB90-36	6036	Air Inlet Swivel Nut	1
37	PB90-37	6037	Air Inlet Swivel O-Ring	1
38	PB90-38	6038	Air Inlet Screen	1
39	PB90-39	6039	Front Head Bolt	2
40	PB90-40	6640	Front Head Bolt Nut	2
41	PB90-41	6641	Front Head Bolt Lock Washer	2
42	PB90-42	6642	Front Head Bolt Spring	2
43	PB90-43A	6644-A	Front Head Bushing (1-1/4")	1
	PB90-43B	6644-B	Front Head Bushing (1-1/4")	(1)
45	PB90-45	6645	Felt Oiler	1
48	PB90-48	6048	Oil Tank Plug	1
50	PB90-50	6053	Spring Pin	1
51	PB90-51	6054	Stop Lever	1
52	PB90-52	6055	Stop Lever Spring	1
53	550091	6082	Muffler CP.	(1)



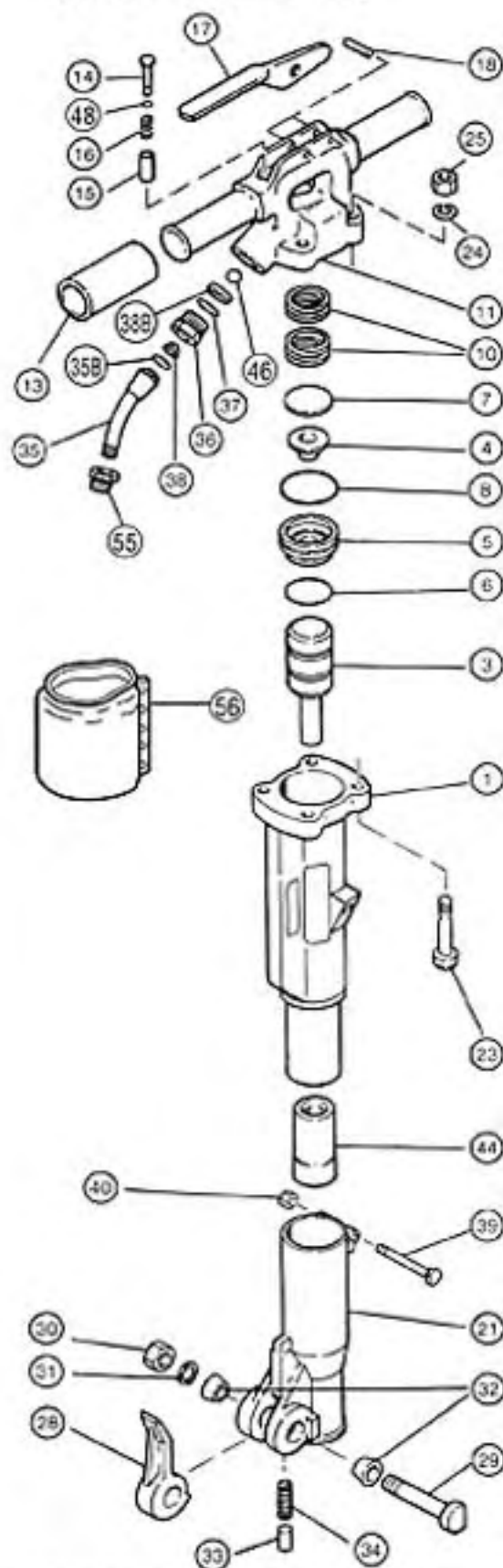
JET EQUIPMENT TOOLS

PAVING BREAKER MODEL PB-60

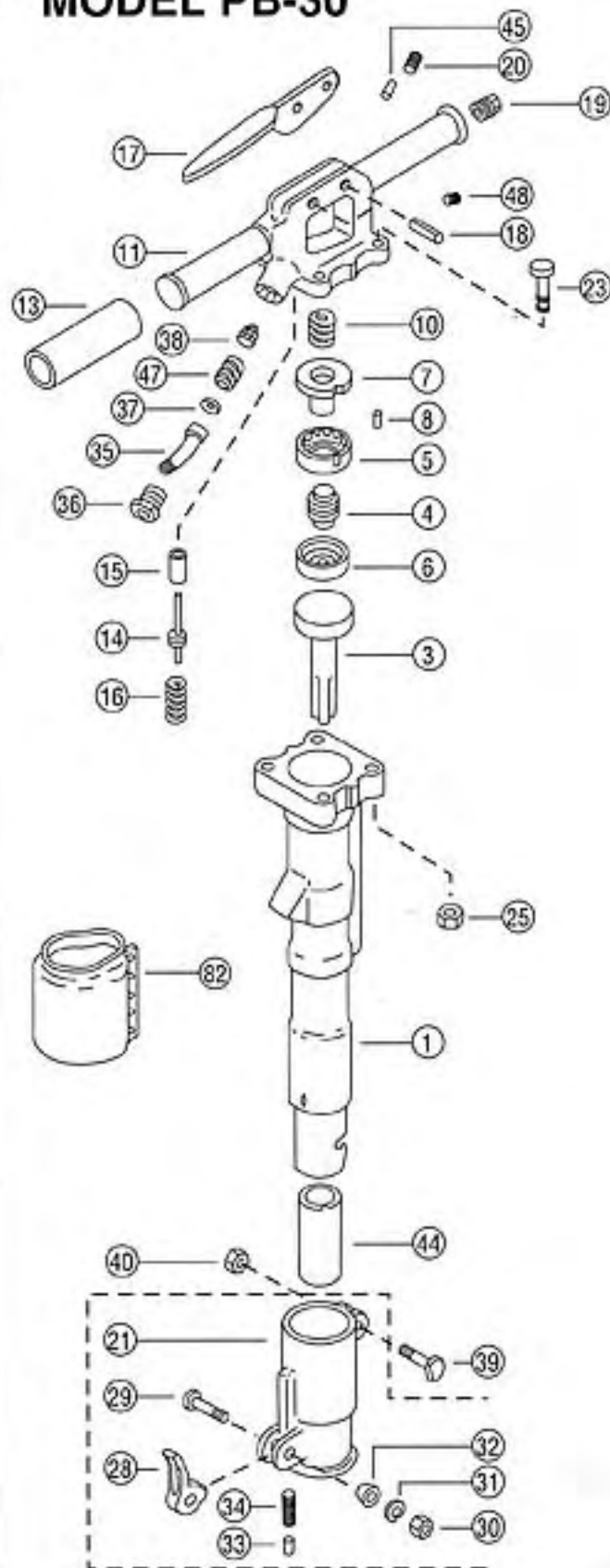
SYM. NO.	PART NO.	QTY.	DESCRIPTION	AMT. REQ.
1	PB60-01	6601	Cylinder	1
2	PB90-02	6602	Cylinder Plug	3
3	PB60-03	6603	Piston Hammer	1
4	PB90-04	6604	Automatic Valve	1
5	PB60-05	6605	Valve Chest	1
6	PB60-06	6606	Valve Seat	1
7	PB60-07	6607	Valve Guide	1
8	PB90-08	6608	Valve Chest Dowel Pin	1
9	PB90-09	6609	Plunger	1
10	PB90-10	6610	Plunger Spring	1
11	PB60-11	6611	Back Head (Bare)	1
12	PB90-12	6612	Back Head Port Seal O-Ring	1
13	PB90-13	6613	Rubber Grip	2
14	PB90-14	6614	Throttle Valve	1
15	PB90-15	6615	Throttle Valve Stem Guide	1
16	PB90-16	6616	Throttle Valve Spring	1
17	PB90-17	6617	Throttle Lever	1
18	PB90-18	6618	Throttle Lever Pin	2
19	PB60-19	6619	Oil Plug	1
20	PB90-20	6620	Oil Control Plug Hex. PT (1/8")	1
21	PB60-21	6621	Front Head	1
22	PB60-22	6622	Back Head Bolt	4
23	PB90-23	6623	Back Head Bolt Lock Washer (3/8")	4
24	PB90-24	6624	Back Head Bolt Nut	4
25	PB60-25	6625	Tappet Seat	1
26	PB60-26	6626	Tappet	1
27	PB90-27	6627	Steel Retainer	1
28	PB90-28	6628	Steel Retainer Bolt	1
29	PB90-29	6629	Steel Retainer Bolt Nut	1
30	PB90-30	6630	Steel Retainer Washer (3/4")	1
31	PB90-31	6631	Steel Retainer Washer (3/4")	1
32	PB90-32	6632-A	Steel Retainer Bolt Bushing	2
33	PB90-33	6633	Steel Retainer Plunger	1
34	PB90-34	6634	Steel Retainer Spring	1
35A	PB60-35	6035	Air Inlet Swivel	1
35B	PB60-35B	6050	Air Inlet O-Ring	1
36	PB90-36	6036	Air Inlet Swivel Nut	1
37	PB90-37	6037	Air Inlet Swivel O-Ring	1
38	PB90-38	6038	Air Inlet Screen	1
39	PB60-39	6639	Front Head Bolt	2
40	PB90-40	6640	Front Head Bolt Nut	2
41	PB90-41	6641	Lock Washer (1/4")	2
42	PB90-42	6642	Front Head Bolt Spring	2
43	PB60-43A	6644-A	Front Head Bushing (1-1/4")	1
44	PB90-43B	6644-B	Front Head Bushing (1-1/4")	(1)
45	PB90-45	6645	Felt Oiler	1
46	550061	6682	Muffler C.P.	(1)
50	PB90-50	6053	Spring Pin	1
51	PB90-51	6054	Stop Lever	1
52	PB90-52	6055	Stop lever Spring	1



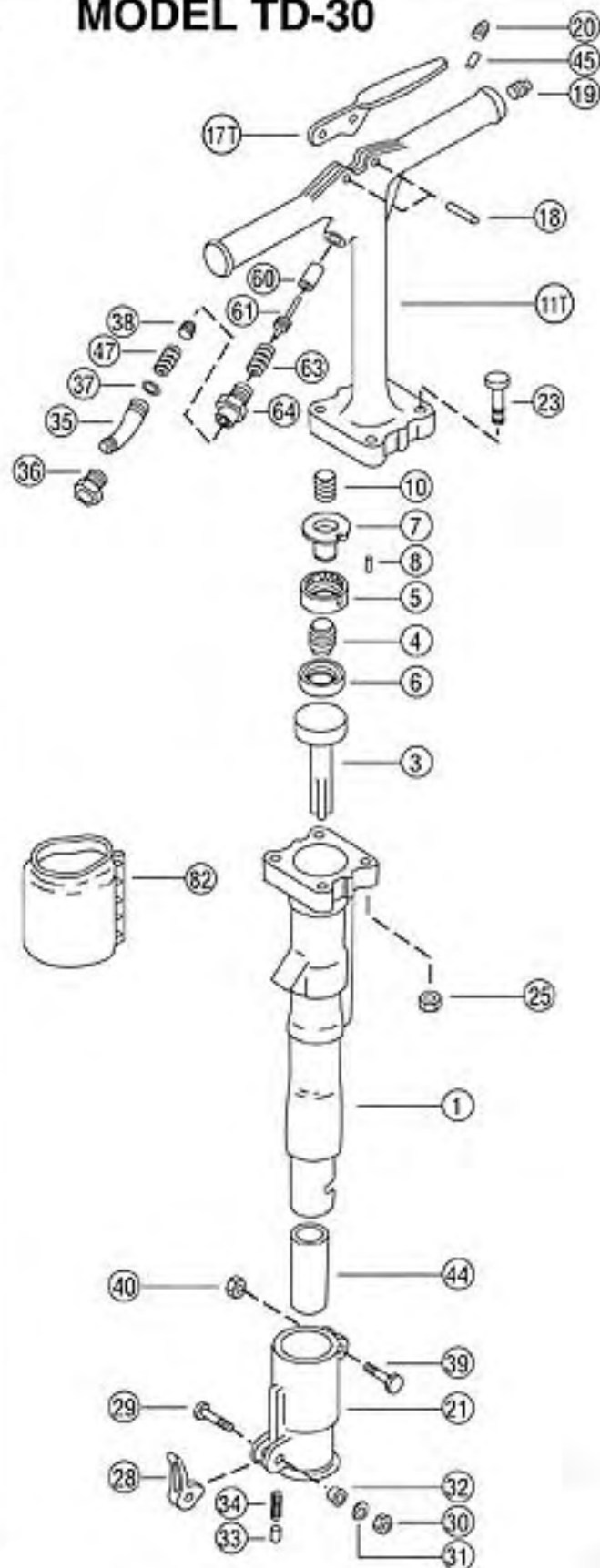
SYM. NO.	PART NO.	NO.	DESCRIPTION	AMT. REQ.
1	PB40-01	6401	Cylinder	1
3	PB40-03	6403	Piston Hammer	1
4	PB40-04	6404	Valve	1
5	PB40-05	6405	Valve Chest	1
6	PB40-06	6406	Valve Chest O-Ring, Small	1
7	PB40-07	6407	Valve Cover	1
8	PB40-08	6408	Valve Chest O-Ring, Large	1
10	PB40-10	6410	Coned Disc Spring	1
11	PB40-11	6411	Back Head (re: PB40-11CP)	1
	PB40-11CP	6411-C	Back Head Complete	1
13	PB40-13	6613	Rubber Grip	2
14	PB40-14	6414	Throttle Push Rod	1
15	PB40-15	6415	Throttle Valve Bushing	1
16	PB40-16	6416	Throttle Valve Spring	1
17	PB40-17	6617	Throttle Valve	1
18	PB40-18	6618	Throttle Lever Pin	2
21	PB40-21	6421	Front Head	1
23	PB40-23	6323	Back Head Bolt	4
24	PB40-24	6324	Back Head Bolt Lock Washer	4
25	PB40-25	6325	Back Head Bolt Nut	4
28	PB40-28	6628	Steel Retainer	1
29	PB40-29	6629	Steel Retainer Bolt	1
30	PB40-30	6630	Steel Retainer Bolt Nut	1
31	PB40-31	6631	Steel Retainer Bolt Nut Washer	1
32	PB40-32	6632-A	Steel Retainer Bolt Bushing	2
33	PB40-33	6633	Steel Retainer Plunger	1
34	PB40-34	6634	Steel Retainer Spring	1
35	PB40-35	6435	Air Inlet Swivel	1
35B	PB40-35B	6446	Air Inlet Swivel O-Ring	1
36	PB40-36	6436	Air Inlet Swivel Nut	1
37	PB40-37	6437	Air Inlet O-Ring	1
38	PB40-38	6438	Air Inlet Screen	1
38B	PB40-38B	6447	Air Inlet Swivel Spacer	1
39	PB40-39	6339	Front Head Bolt	1
40	PB40-40	6340	Front Head Bolt Nut	1
44	PB40-44	6444	Front Head Bushing (1")	1
46	SB-3/4	6448	Throttle Valve Ball	1
48	PB40-48	6412	Throttle Push Rod O-Ring	1
55	PB40-55	6449	Screw Bushing	1
56	550051	6482	Muffler CP.	(1)



SYM. NO.	PART NO.	NO.	DESCRIPTION	AMT. REQ.
1	PB30-01	6301	Cylinder	1
3	PB30-03	6303	Piston Hammer	1
4	PB30-04	6304	Valve	1
5	PB30-05	6305	Valve Chest	1
6	PB30-06	6306	Valve Seat	1
7	PB30-07	6307	Valve Guide	1
8	PB30-08	6308	Valve Chest Dowel Pin	1
10	PB30-10	6310	Plunger Spring	1
11	PB30-11A	6311C	Back Head Assembly (11, 13-20, 35-38, 45, 47, 48)	1
13	PB30-13	6613	Rubber Grip	2
14	PB30-14	6614	Throttle Valve	1
15	PB30-15	6615	Throttle Valve Stem Guide	1
16	PB30-16	6316	Throttle Valve Spring	1
17	PB30-17	6617	Throttle Lever	1
18	PB30-18	6618	Throttle Lever Pin	2
19	PB30-19	6319	Oil Plug	1
20	PB30-20	6620	Oil Control Plug	1
21	PB30-21	6321	Front Head	1
23	PB30-23	6323	Back Head Bolt	4
25	PB30-25	6325	Back Head Bolt Nut	4
26	PB30-26	6326	Steel Retainer	1
29	PB30-29	6329	Steel Retainer Bolt	1
30	PB30-30	6330	Steel Retainer Bolt Nut	1
31	TS-1550101	6331	Lock Washer (M16)	1
32	PB30-32	6332	Steel Retainer Bolt Bushing	1
33	PB30-33	6333	Steel Retainer Plunger	1
34	PB30-34	6334	Steel Retainer Spring	1
35	PB30-35	6335	Air Inlet Swivel	1
36	PB30-36	6336	Air Inlet Swivel Nut	1
37	PB30-37	6350	Air Inlet Swivel O-Ring	1
38	PB30-38	6338	Air Inlet Screen	1
39	PB30-39	6339	Front Head Bolt	1
40	PB30-40	6340	Front Head Bolt Nut	1
44	PB30-44A	6344B	Front Head Bushing (1/2")	1
	PB30-44B	6344A	Front Head Bushing (1")	1
45	PB30-45	6645	Felt Oiler	1
47	PB30-47	6347	Air Inlet Swivel Spring	1
48	PB30-48	6517	Oil Tank Plug	1
82	550031	6382	Muffler CP.	(1)



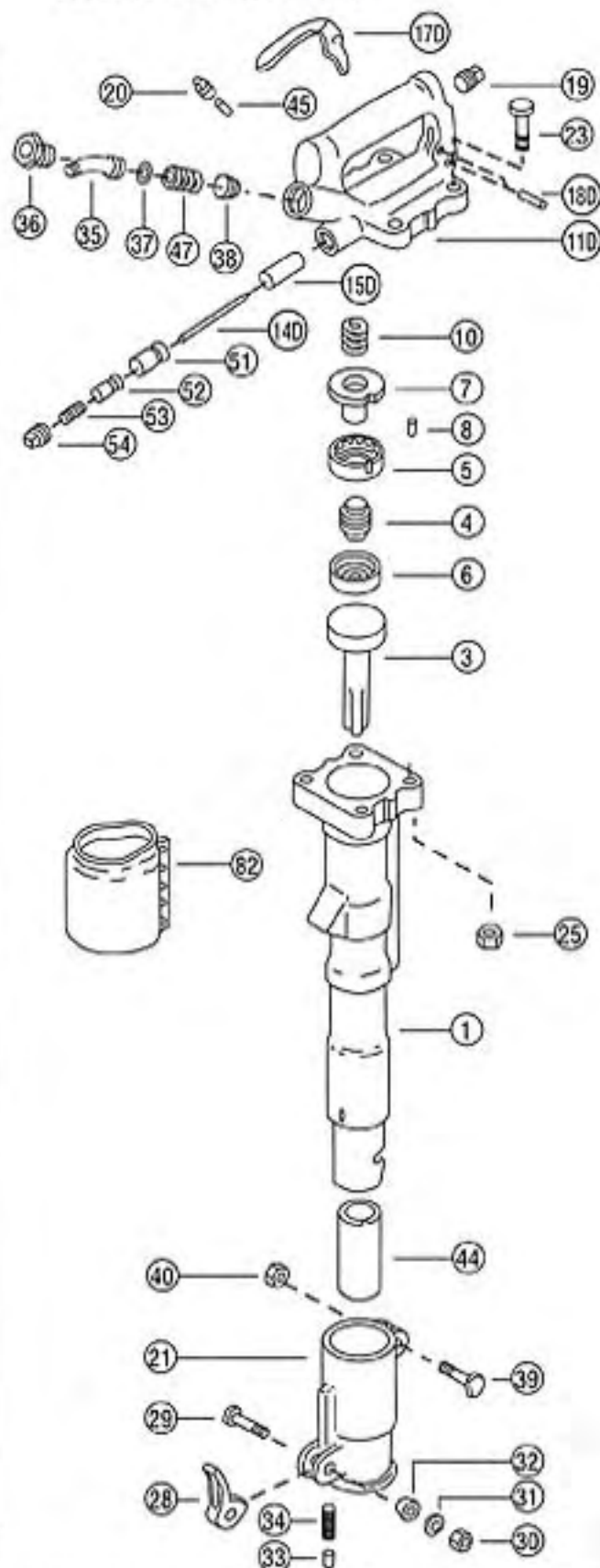
SYM. NO.	PART NO.	NO.	DESCRIPTION	AMT. REQ.
1	PB30-01	6301	Cylinder	1
3	PB30-03	6303	Piston Hammer	1
4	PB30-04	6304	Valve	1
5	PB30-05	6305	Valve Chest	1
6	PB30-06	6306	Valve Seat	1
7	PB30-07	6307	Valve Guide	1
8	PB30-08	6308	Valve Chest Dowel Pin	1
10	PB30-10	6310	Plunger Spring	1
11T	TD30-11	6311-T	Back Head Bare (re. TD30-11T)	1
	TD30-11T		Back Head CP.	1
17T	TD30-17T	6365	Trigger	1
18	PB30-18	6618	Throttle Lever Pin	2
19	PB30-19	6319	Oil Plug	1
20	PB30-20	6620	Oil Control Plug	1
21	PB30-21	6321	Front Head	1
23	PB30-23	6323	Back Head Bolt	4
25	PB30-25	6325	Back Head Bolt Nut	4
28	PB30-28	6328	Steel Retainer	1
29	PB30-29	6329	Steel Retainer Bolt	1
30	PB30-30	6330	Steel Retainer Bolt Nut	1
31	TS-1550101	6331	Lock Washer (M16)	1
32	PB30-32	6332	Steel Retainer Bolt Bushing	1
33	PB30-33	6333	Steel Retainer Plunger	1
34	PB30-34	6334	Steel Retainer Spring	1
35	PB30-35	6335	Air Inlet Swivel	1
36	PB30-36	6336	Air Inlet Swivel Nut	1
37	PB30-37	6350	Air Inlet Swivel O-Ring	1
38	PB30-38	6338	Air Inlet Screen	1
39	PB30-39	6339	Front Head Bolt	1
40	PB30-40	6340	Front Head Bolt Nut	1
44	PB30-44A	6344-B	Front Head Bushing (1/2")	1
	PB30-44B	6344-A	Front Head Bushing (1")	1
45	PB30-45	6645	Felt Oiler	1
47	PB30-47	6347	Air Inlet Swivel Spring	1
60	TD30-60	6360	Throttle Valve Stem Guide	1
61	TD30-61	6361	Throttle Valve	1
63	TD30-63	6363	Throttle Valve Spring	1
64	TD30-64	6364	Screw Bushing	1
82	550031	6382	Muffler CP.	(1)

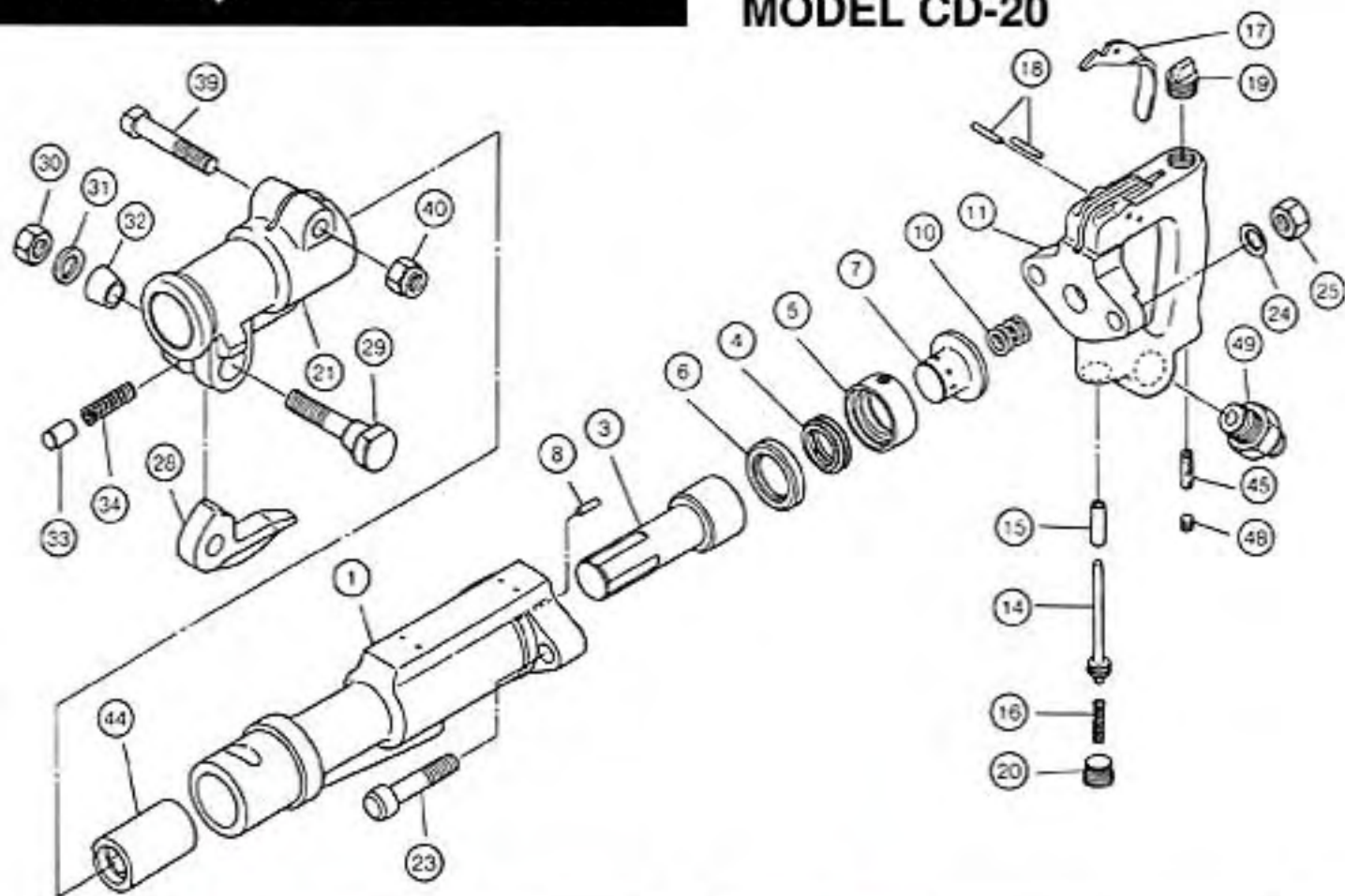


JET EQUIPMENT TOOLS

CLAY DIGGER MODEL CD-30

SYM. NO.	PART NO.	NO.	DESCRIPTION	AMT. REQ.
1	PB30-01	6301	Cylinder	1
3	PB30-03	6303	Piston Hammer	1
4	PB30-04	6304	Valve	1
5	PB30-05	6305	Valve Chest	1
6	PB30-06	6306	Valve Seat	1
7	PB30-07	6307	Valve Guide	1
8	PB30-08	6308	Valve Chest Dowel Pin	1
10	PB30-10	6310	Plunger Spring	1
11D	CD30-11	6311-D	Back Head Bare	1
	CD30-11D	6392-C	Back Head CP	(1)
14D	CD30-14D	6357	Throttle Valve Stem	1
15D	CD30-15D	6360	Throttle Valve Stem Guide	1
17D	CD30-17D	6355	Trigger	1
18D	CD30-18D	6356	Trigger Pin	2
19	PB30-19	6319	Oil Plug	1
20	PB30-20	6620	Oil Control Plug	1
21	PB30-21	6321	Front Head	1
23	PB30-23	6323	Back Head Bolt	4
25	PB30-25	6325	Back Head Bolt Nut	4
28	PB30-28	6328	Steel Retainer	1
29	PB30-29	6329	Steel Retainer Bolt	1
30	PB30-30	6330	Steel Retainer Bolt Nut	1
31	TS-1550101	6331	Lock Washer (M16)	1
32	PB30-32	6332	Steel Retainer Bolt Bushing	1
33	PB30-33	6333	Steel Retainer Plunger	1
34	PB30-34	6334	Steel Retainer Spring	1
35	PB30-35	6335	Air Inlet Swivel	1
36	PB30-36	6336	Air Inlet Swivel Nut	1
37	PB30-37	6650	Air Inlet Swivel O-Ring	1
38	PB30-38	6338	Air Inlet Swivel Screen	1
39	PB30-39	6339	Front Head Bolt	1
40	PB30-40	6340	Front Head Bolt Nut	1
44	PB30-44A	6344-B	Front Head Bushing (7/8")	(1)
	PB30-44B	6344-A	Front Head Bushing (1")	1
45	PB30-45	6645	Felt Oiler	1
47	PB30-47	6347	Air Inlet Swivel Spring	1
51	CD30-51	6351	Throttle Valve Bushing	1
52	CD30-52	6352	Throttle Valve	1
53	CD30-53	6353	Throttle Valve Spring	1
54	CD30-54	6354	Throttle Valve Cap	1
82	550031	6362	Muffler	(1)





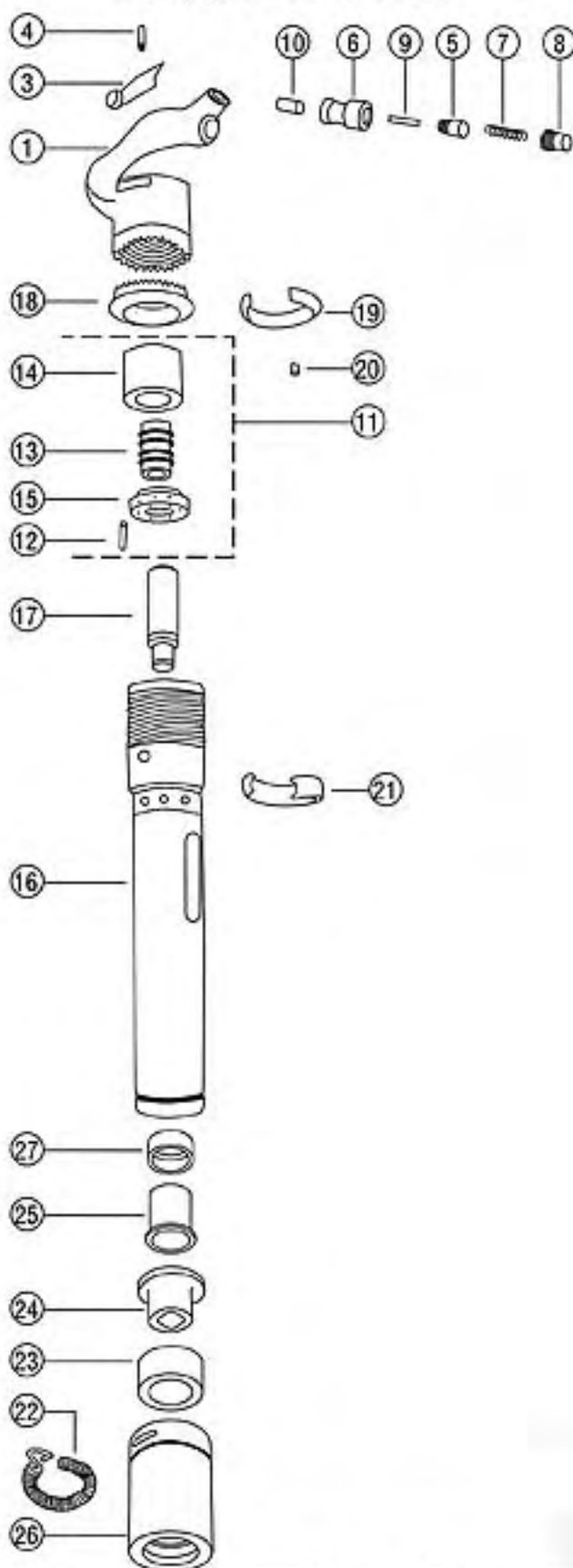
SYM. NO.	PART NO.	NO.	DESCRIPTION	AMT. REQ.
1	CD20-01	6801	Cylinder	1
3	CD20-03	6803	Piston	1
4	CD20-04	6804	Valve	1
5	CD20-05	6805	Valve Chest	1
6	CD20-06	6806	Valve Seat	1
7	CD20-07	6807	Valve Guide	1
8	CD20-08	6808	Valve Chest Dowel Pin	1
10	CD20-10	6310	Plunger Spring	1
11	CD20-11	6811	Back Head	1
14	CD20-14	6814	Throttle Valve	1
15	CD20-15	6815	Throttle Valve Stem Guide	1
16	CD20-16	6816	Throttle Valve Spring	1
17	CD20-17	6817	Trigger	1
18	CD20-18	6818	Trigger Pin	2
19	CD20-19	6319	Oil Plug	1
20	CD20-20	6820	GD Plug	1
21	CD20-21	6321	Front Head	1
23	CD20-23	6823	Back Head Bolt	2
24	CD20-24	6824	Washer (M14)	2

SYM. NO.	PART NO.	NO.	DESCRIPTION	AMT. REQ.
25	CD20-25	6825	Back Head Bolt Nut	2
28	CD20-28	6328	Steel Retainer	1
29	CD20-29	6329	Steel Retainer Bolt	1
30	CD20-30	6330	Steel Retainer Bolt Nut	1
31	CD20-31	6331	Spring Washer	1
32	CD20-32	6332	Steel Retainer Bolt Bushing	1
33	CD20-33	6333	Steel Retainer Plunger	1
34	CD20-34	6334	Steel Retainer Spring	1
39	CD20-39	6339	Front Head Bolt	1
40	CD20-40	6340	Front Head Bolt Nut	1
44	CD20-44	6844	Front Head Bushing	1
45	CD20-45	6645	Felt Oiler	1
48	CD20-48	6620	Oil Control Plug	1
49	CD20-49	6849	Air Inlet	1

JET EQUIPMENT TOOLS

RIVET BUSTER MODEL RB-110

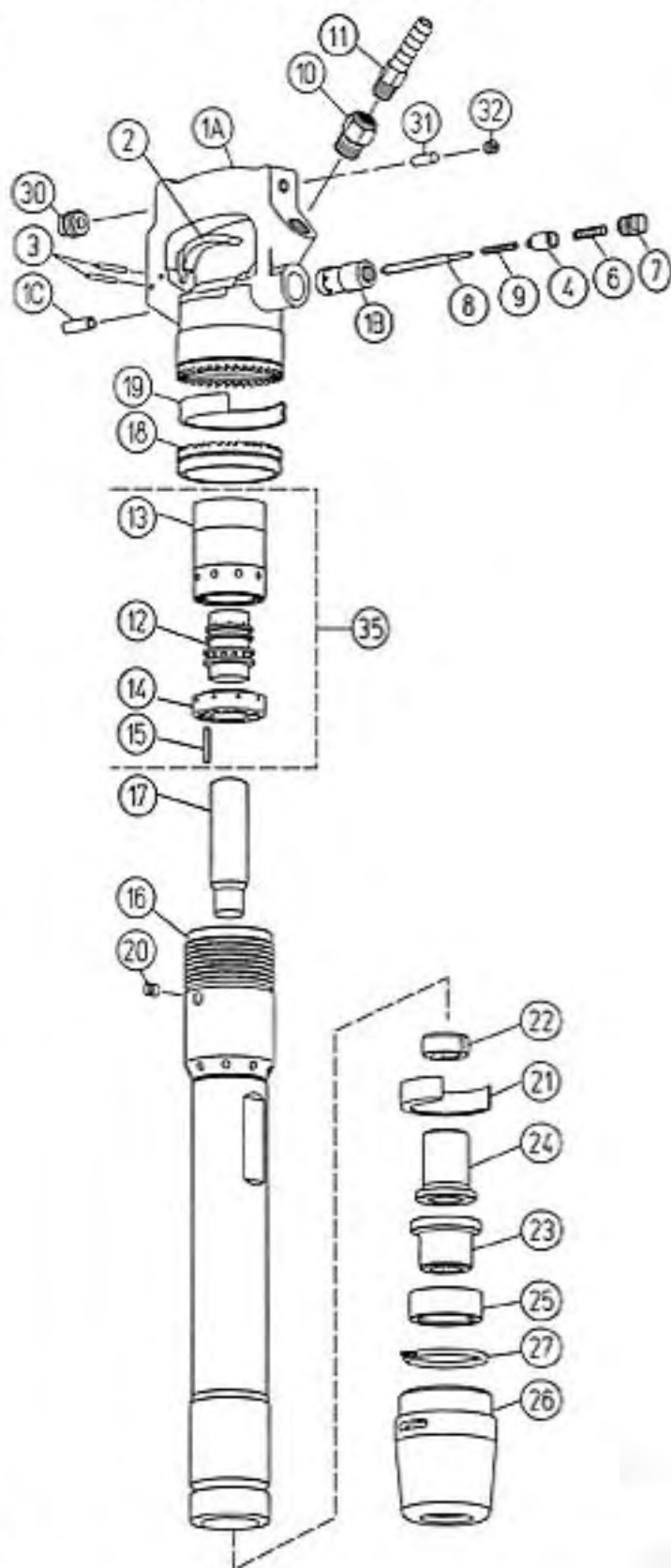
SYM. NO.	PART NO.	NO.	DESCRIPTION	AMT. REQ.
1	410470018	6961	Handle w/Bushing	1
3	410460040	6763	Handle Lever	1
4	130401058	6764	Lever Pin 4 x 21	1
5	410460050	6765	Throttle Valve	1
6	410460060	6766	Throttle Valve Bushing	1
7	130801065	6767	Throttle Valve Spring	1
8	134905019	6768	Throttle Valve Cap	1
9	130401062	6969	Throttle Valve Pin	1
10	410460080	6770	Push Rod Sleeve	1
11		6971	Valve Complete	(1)
12	130620061	6972	Spring Pin	1
13	410470100	6973	Valve	1
14	410470150	6974	Valve Case	1
15	410470140	6975	Valve Seat	1
16	410470190	6976	Cylinder	1
17	410470200	6977	Piston	1
18	410470300	6978	Clutch	1
19	410460310	6779	Clutch Band	1
20	410470320	6980	Clutch Key	1
21	410470470	6981	Exhaust Band	1
22	550098	9622	Retainer Spring	1
23	552104	9623-B	Rubber Bumper	1
24	552103	9624-B	Lower Sleeve	1
25	552101	9625	Upper Sleeve	1
26	552191	9621-T	Retainer	1
27	410470560	6982	Piston Stopper	1



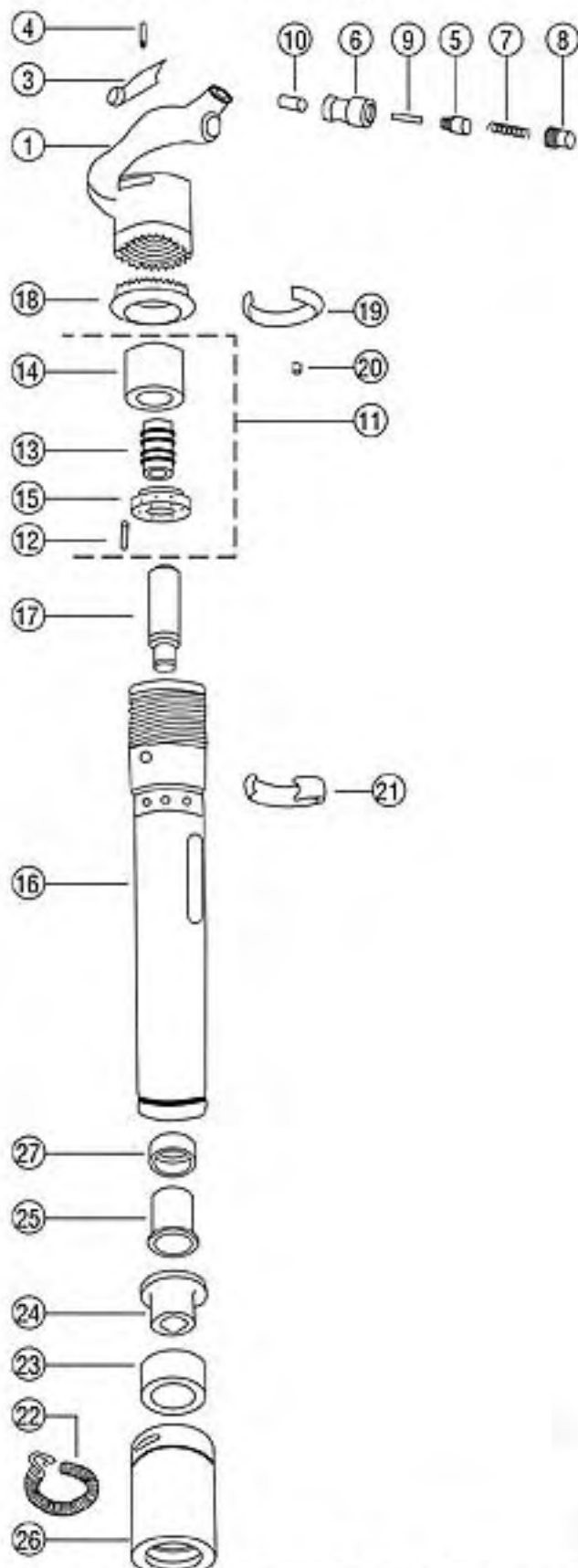
JET EQUIPMENT TOOLS

RIVET BUSTER MODEL RB-110D

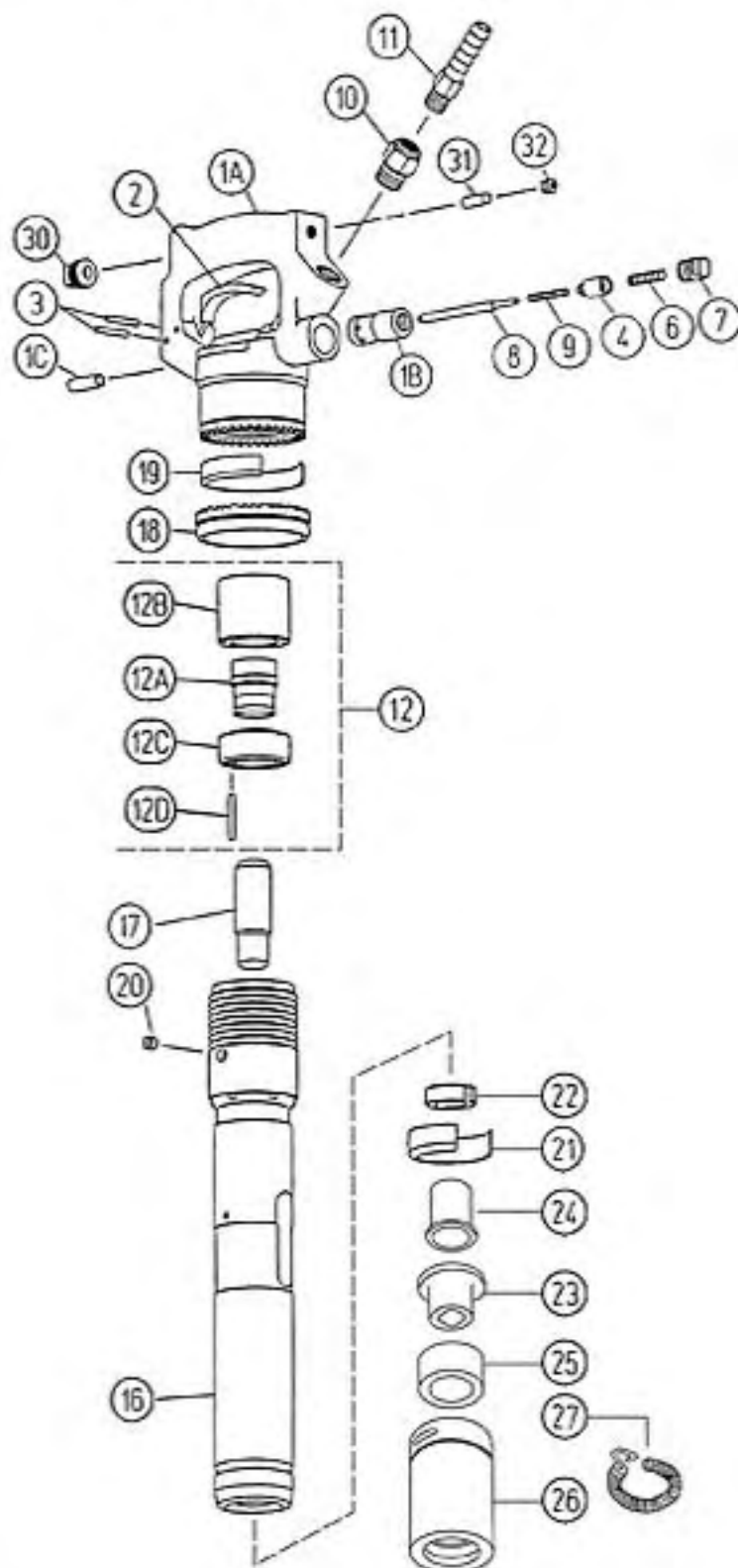
SYM. NO.	PART NO.	NO.	DESCRIPTION	AMT. REQ.
1A	410471010	6961-0	Handle	1
1B	410460060	6776	Throttle Valve Bushing	1
1C	410221300	6360	Throttle Valve Stem Guide	1
2	410211120	6355	Trigger	1
3	130401030	6356	Trigger Pin 3.989 x 34.6	2
4	410466050	6865	Throttle Valve	1
6	130801065	6767	Throttle Valve Spring	1
7	134905019	6768	Throttle Valve Cap	1
8	410466C10	6868	Throttle Valve Pin	1
9	130801066	6867	Valve Pin Spring	1
10	134704030	8270	Screw Bushing 1/2" x 3/8"	1
11	134603040	6877	Hose Stem 3/8" x 1/2"	1
12	410470100	6973	Valve	1
13	410470150	6974	Valve Case	1
14	410470140	6975	Valve Seat	1
15	130620061	6972	Spring Pin 3/16" x 28"	1
16	410470190	6976	Cylinder	1
17	410470200	6977	Piston	1
18	410470300	6978	Clutch	1
19	410460310	6779	Clutch Band	1
20	410470320	6980	Clutch Key	1
21	410470470	6981	Exhaust Band	1
22	410470560	6982	Piston Stopper	1
23	552103	9624-B	Lower Sleeve	1
24	552101	9625	Upper Sleeve	1
25	552104	9623-B	Rubber Bumper	1
26	552191	9621-T	Retainer	1
27	550098	6922	Retainer Spring	1
30	410211720	6319	Oil Plug 1/2" NPTF	1
31	135101011	6645	Oil Control Felt	1
32	134901001	6620	Oil Control Plug PP-2 PT 1/8"	1
35		6971	Valve Complete	1



SYM. NO.	PART NO.	NO.	DESCRIPTION	AMT. REQ.
1	410460010	6761	Handle	1
3	410460040	6763	Handle Lever	1
4	130401058	6764	Lever Pin	1
5	410460050	6765	Throttle Valve	1
6	410460060	6766	Throttle Valve Bushing	1
7	130801065	6767	Throttle Valve Spring	1
8	134905019	6768	Throttle Valve Cap	1
9	130401056	6769	Throttle Valve Pin	1
10	410460080	6770	Push Rod Sleeve	1
11		6771	Valve Complete	(1)
12	130401057	6772	Valve Knock	1
13	410460100	6773	Valve	1
14	410460150	6774	Valve Case	1
15	410460140	6775	Valve Seat	1
16	410463191	6776	Cylinder	1
17	410463200	6777-N	Piston	1
18	410460300	6778	Clutch	1
19	410460310	6779	Clutch Band	1
20	410460320	6780	Clutch Key	1
21	410460470	6781	Exhaust Band	1
22	550098	9622	Retainer Spring	1
23	552104	9623-B	Rubber Bumper	1
24	552103	9624-B	Lower Sleeve	1
25	552101	9625	Upper Sleeve	1
26	552191	9621-B	Retainer	1
27	410463560	6782	Piston Stopper	1



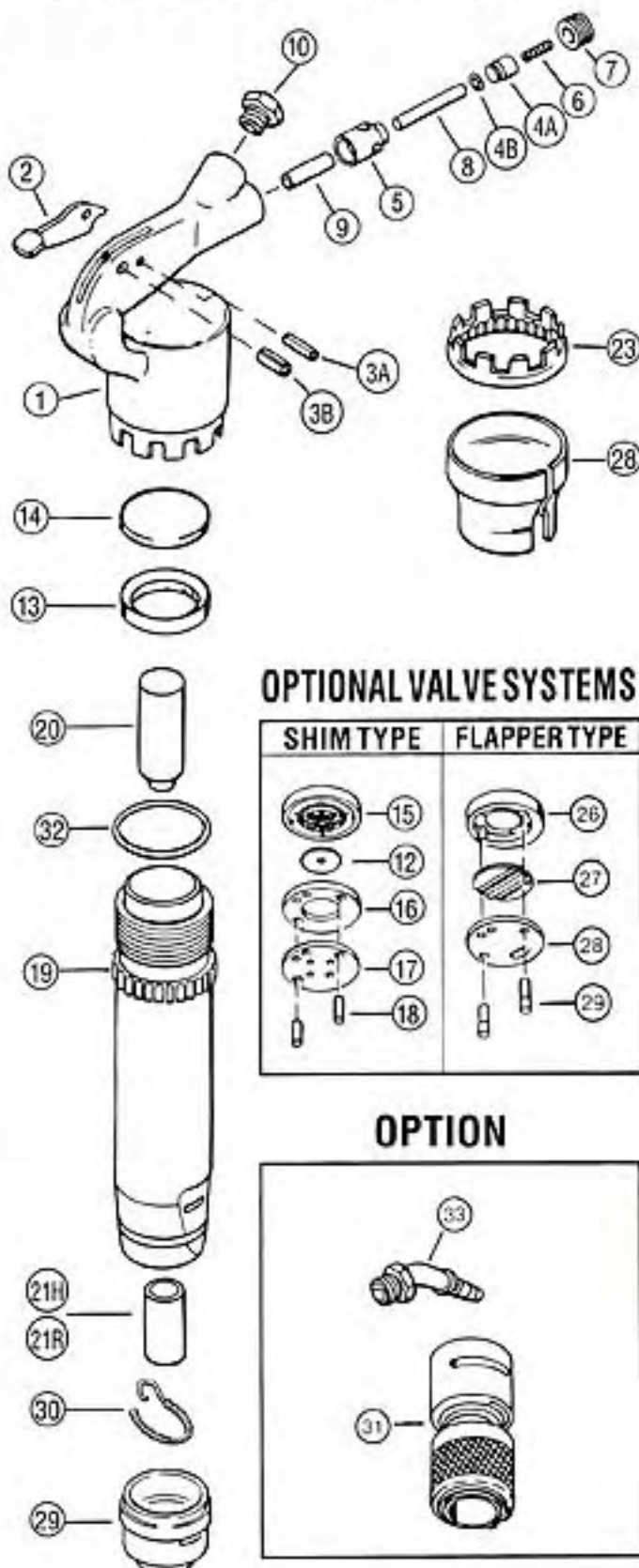
SYM. NO.	PART NO.	NO.	DESCRIPTION	AMT. REQ.
1A	410466010	6861	Handle	1
1B	410460060	6766	Throttle Valve Bushing	1
1C	410221300	6360	Throttle Valve Stem Guide	1
2	410211120	6355	Trigger	1
3	130401030	6356	Trigger Pin	2
4	410466050	6865	Throttle Valve	1
6	130801065	6767	Throttle Valve Spring	1
7	134905019	6768	Throttle Valve Cap	1
8	410466C10	6868	Throttle Valve Pin	1
9	130801066	6867	Valve Pin Spring	1
10	134704030	8270	Screw Bushing 1/2" x 3/8"	1
11	134803040	6877	Hose Stem 3/8" x 1/2"	1
12	410460108	6771	Valve Complete	1
12A	410460100	6773	Valve	1
12B	410460150	6774	Valve Box	1
12C	410460140	6775	Valve Seat	1
12D	130401057	6772	Valve Knock	1
16	410464191		Cylinder 1-7/32" (RB-90D)	1
	410463191	6776	Cylinder 1-1/2" (RB-91D)	1
17	410463200	6777-M	Piston	1
18	410460300	6778	Clutch	1
19	410460310	6779	Clutch Band	1
20	410460320	6780	Clutch Key	1
21	410460470	6779	Exhaust Band	1
22	410464560	6782-S	Piston Stopper (RB-90D)	1
	410463560	6782	Piston Stopper (RB-91D)	1
23	551504	9724	Lower Sleeve (RB-90D)	1
	552103	9624-B	Lower Sleeve (RB-91D)	1
24	551502	9725	Upper Sleeve (RB-90D)	1
	552101	9625	Upper Sleeve (RB-91D)	1
25	551505	9623	Rubber Bumper (RB-90D)	1
	552104	9623-B	Rubber Bumper (RB-91D)	1
26	551190	9621	Retainer (RB-90D)	1
	552190	9621-B	Retainer (RB-91D)	1
27	550098	9622	Retainer Spring	1
30	410211720	6319	Oil Plug	1
31	138101011	6645	Oil Control Felt	1
32	134901001	6620	Hex. Plug PT 1/8"	1



JET EQUIPMENT TOOLS

CHIPPING HAMMER MODEL JCO-1RV~4RV

SYM. NO.	PART NO.	NO.	DESCRIPTION	AMT. REQ.
1	21A100100	6111	Castle Tooth Handle Complete	1
2	21A100200	6117	Lever	1
3A	21A1003A0	6118-B	Lever Pin (5 x 20)	1
3B	21A1003B0	6118-A	Lever Stopper Pin (5 x 25)	1
4A	21A1004A0	6114	Throttle Valve	1
4B	21A1004B0	6113	O-ring (P-7)	1
5	21A100500	6115	Throttle Valve Bushing	1
6	21A100600	6116	Throttle Valve Spring (Castle Tooth)	1
7	21A100700	6119	Throttle Valve Cap	1
8	21A100800	6109	Push Rod	1
9	21A100900	6110	Push Rod Sleeve	1
10	21A101100	6136	Screw Bushing NPT	1
12	21A101200	6104	Valve (JCO 1-4)	1
13	21A101300	6147	Ring Valve	1
14	21A101400	6146	Ring Plate (Castle Tooth)	1
15	21A101500	6105	Rear Valve Seat (JCO 1-4)	1
16	21A101600	6107	Middle Valve Seat (JCO 1-4)	1
17	21A101700	6106	Front Valve Seat (JCO 1-4)	1
18	21A101800	6108	Valve Knock (JCO 1-4)	2
19	21A101900	6148-1	Cylinder (JCO-1 & 1RV)	1
	21A201900	6148-2	Cylinder (JCO-1 & 2RV)	1
	21A301900	6148-3	Cylinder (JCO-1 & 3RV)	1
	21A401900	6148-A	Cylinder (JCO-1 & 4RV)	1
20	21A10210A	6103-1	Piston for All JCO-1	1
	21A20210A	6103-2	Piston for All JCO-2	1
	21A30210A	6103-3	Piston for All JCO-3	1
	21A40210A	6103-4	Piston for All JCO-4	1
21H	21A1021H0	6144-H	Bushing (Hex.)	1
21R	21A1021R0	6144-R	Bushing (Round)	1
23	21A102300	6123	Clutch (Castle Tooth)	1
26	21A102600	6122	Exhaust Band (Castle Tooth)	1
29	557911	9101	Standard Retainer	1
30	557912	9105	Retainer Spring	1
31	BR-1	9104	Ball Type Retainer	(1)
33	HS-9091	9135	Hose Swivel, 7/8" x 24TPI	(1)



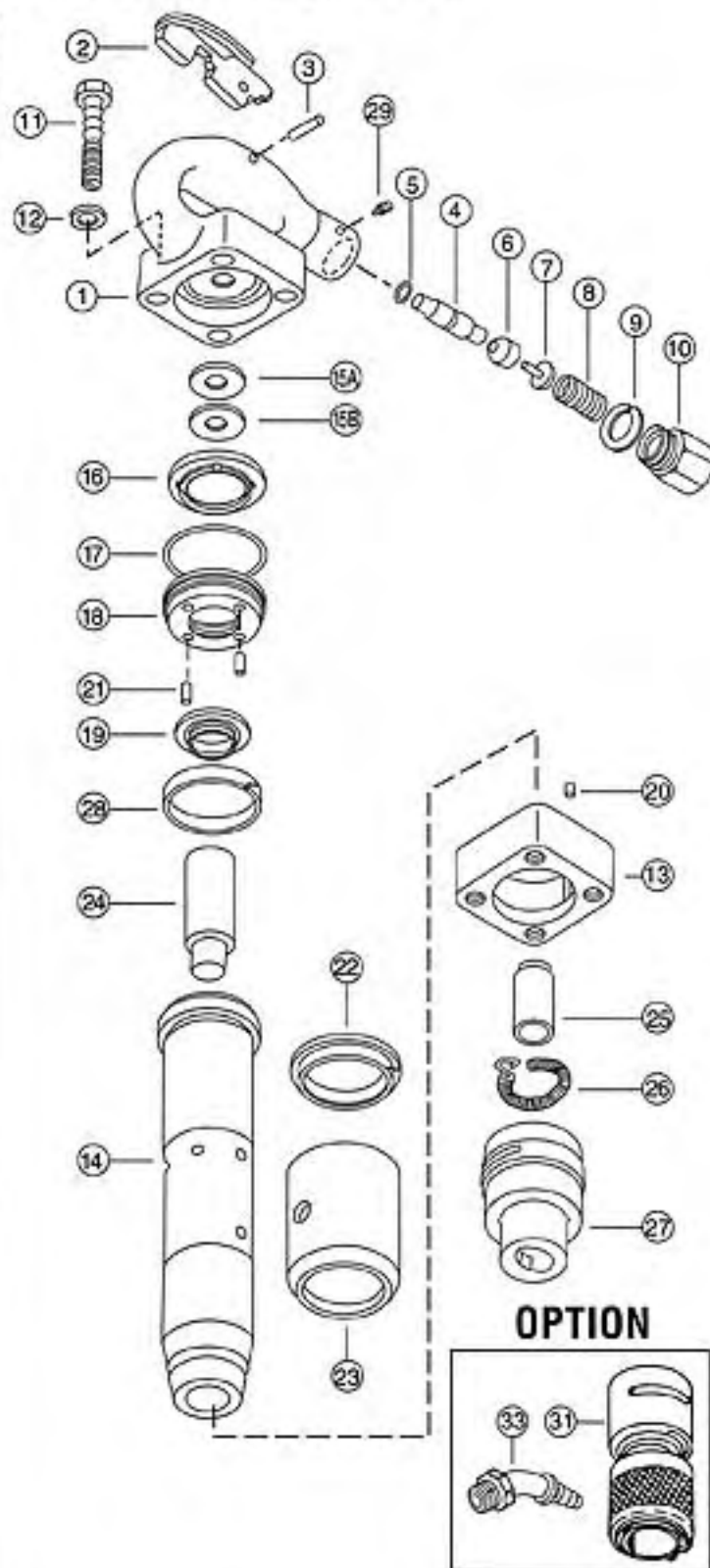
OPTIONAL VALVE SYSTEMS

SHIM TYPE	FLAPPERTYPE
15	26
12	27
16	28
17	29
18	

OPTION



SYM. NO.	PART NO.	NO.	DESCRIPTION	AMT. REQ.
1	12A100010	6170	Handle	1
2	22A80002A	6171	Trigger	1
3	22A900003	6172	Trigger Pin	1
4	22A900004	6173	Push Rod	1
5	22A900005	6174	O-Ring	1
6	22A900006	6175	Inlet Valve	1
7	22A900007	6176	Inlet Valve Rod	1
8	22A900008	6177	Inlet Valve Spring	1
9	Y10219090	6197	Lock Washer	1
10	Y1021910A	6179	Screw Bushing	1
11	12A100110	6180	Back Head Bolt	4
12	12A100120	6181	Washer	4
13	12A100130	6182	Back Head	1
14	12A100140	6183-1	Cylinder FBCH-1	1
	12A200140	6183-2	Cylinder FBCH-2	1
	12A300140	6183-3	Cylinder FBCH-3	1
	12A400140	6183-4	Cylinder FBCH-4	1
15A	12A10015H	6184	Plate (A)	1
15B	12A10015L	6185	Plate (B)	1
16	12A100160	6186	Valve Cover	1
17	12A100170	6187	O-Ring	1
18	12A100180	6188	Valve Box	1
19	12A100190	6189	Valve	1
20	12A100200	6190	Cylinder Knock Pin	1
21	12A100210	6191	Valve Knock Pin	2
22	12A100220	6192	Ex. Cover (Upper)	1
23	12A100230	6193-2	Ex. Cover (Lower) FBCH 1 & 2	1
	12A300230	6193-3	Ex. Cover (Lower) FBCH 3 & 4	1
24	12A100240	6194-1	Piston FBCH-1	1
	12A200240	6194-2	Piston FBCH-2	1
	12A300240	6194-3	Piston FBCH-3	1
	12A400240	6194-4	Piston FBCH-4	1
25	21A1021H0	6144-H	Hex. Bushing	1
	21A1021R0	6144-R	Round Bushing	1
26	557912	9105	Retainer Spring	1
27	557911	9101	Retainer	1
28	12A100280	6195	Ring	1
29	Y1021929A	6196	Set Screw M4	1
31	BR-1	9104	Ball Type Retainer	(1)
33	HS-9091	9135	Hose Swivel, 7/8" x 24TPI	(1)



SYM. NO.	PART NO.	NO.	DESCRIPTION	AMT. REQ.
1	JET06-01	6501	Handle	1
	JET06-01A	6500	Handle Assembly Complete	1
2	JET06-02	6503	Handle Lever	1
3	JET06-03	6504	Handle Lever Pin (6 x 22)	1
4	JET06-04	6505	Handle Lever Ring	1
5	JET06-05	6502	Throttle Valve Bushing	1
6	JET06-06	6506	Throttle Valve	1
7	JET06-07	6510	O-Ring (P-22)	1
8	JET06-08	6508	Throttle Valve Spring	1
9	JET06-09	6509	Throttle Valve Spring Plug	1
10	JET06-10	6512	Connecting Pipe (NPT 3/4)	1
11	JET06-11	6514	Connecting Pipe Lock Nut	1
12	JET06-12	6516	Cylinder Cap (NPT 3/4)	1
13	JET06-13	6517	Oil Plug (GDL NPTF 1/4)	1
14	JET06-14	6511	Cylinder Cap Bushing	1
15	JET06-15	6515	Valve Housing Bushing	1
16	JET06-16	6522	Upper Valve Plate	1
17	JET06-17	6525	Lower Valve Plate	1
18	JET06-18	6518	O-Ring (P-32)	1
19	JET06-19	6523	Center Valve Plate	1
20	JET06-20	6524	Automatic Valve	1
21	JET06-21	6526	Valve Knock Pin	2
22	JET06-22	6527	Cylinder	1
23	JET06-23	6528	Exhaust Deflector	1
24	JET06-24	6531	Upper Guide Bushing	1
25	JET06-25	6532	O-Ring (P-35)	2
26	JET06-26	6533	Packing (Upper)	1
27	JET06-27	6533	Packing (Middle)	1
28	JET06-28	6533	Packing (Lower)	1
29	JET06-29	6535	Lower Guide Bushing	1
30	JET06-30	6537	Packing Nut	1
31	JET06-31	6536	Lock Ring Stuffing Box	1
32	JET06-32	6530	Piston	1
33	JET06-33	9538	Butt (Hollow Steel) Ref. 556630	1
34	JET06-34	6540	Clamp Screw	1
35	JET06-35	6507	O-Ring (P-10)	1

